

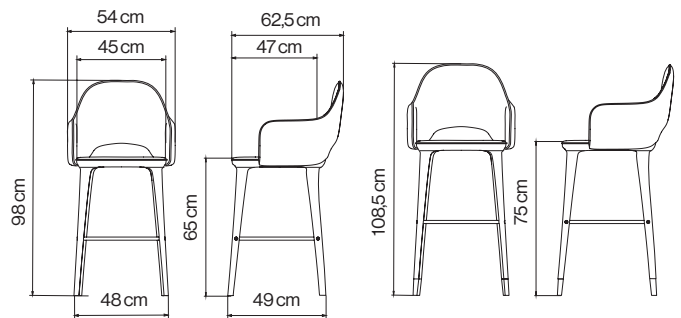
pols potten



Barstool Arms Cosy

Fact Sheet

The Cosy Barstool is an all-encompassing creation of sophistication and comfort. The curvature of the backrest and arms promote superior comfort, while the cushioning has been developed for the ultimate seating experience. Comfort and style are the main drivers of the cosy design. The barstool comes fitted with black powder-coated metal removable foot caps - these increase the height of the bar stool by 10cm (extensions are only available with the Soho fabric option). At its maximum height, the barstool is appropriate for a commercial bar environment – at its lowest height a kitchen bar is more suitable. Qualified for contract use.



Design by	pols potten studio 2019
About the designer	This item is designed in our very own pols potten studio
Category	Furniture - Chairs
Environment	Indoor
Preassembled	Yes
Material & Finish	<p>Frame: The frame of the chair is made of powder-coated metal</p> <p>Cushioning: The cushioning is made of fire retardant high resiliency (CMHR) foam, foam density 28kgs/m3</p> <p>Legs: The legs are made of black powdercoated metal covered with upholstery</p> <p>Removable foot cap: black powder-coated metal</p>
Gliders	Plastic gliders are mounted
Upholstery	<p>Barstool arms Cosy is standard available in the following upholstery:</p> <p>Soho 100% polyester / 90.000 martindale / color fastness level 5</p> <p>Vicky Velvet 10% polyester / 30.000 martindale / color fastness level 5</p>
Cleaning & Care	Care and maintenance instructions can be downloaded on the product page of this item at: webshop.polspotten.com or contact your account manager for more specific cleaning & care information.
Spare parts	<p>The spare parts below are available upon order</p> <ul style="list-style-type: none"> - Plastic gliders - Leg extensions - Footrest - Screws
Packaging	<p>Packed in one brown carton box 5-ply</p> <p>Size: 56 x 62 x 109 cm</p> <p>Weight: 13 kg</p>

Made-to-order

Non-standard fabrics or colours are made-to-order against a minimum order quantity of 50 pcs. Upholstery supplied by the customer must always be tested by us in advance to see if it can be applied to our furniture. Please contact your account manager for a specific custom made request.

Downloads

3D files, mood images and packshots are available at the product page of the item at polspotten.nl

Textile use for customized upholstery

2,3 meters with a fabric width of 1,4 meters

Test & Certifications

Soho fabric: Fire retardant BS5952 Source 0 cigarette proof
 Vicky elvet fabric: Fire retardant BS5952 Source 0+1 cigarette & match proof
 Foam: Fire retardant BS5952 Source 0+1 cigarette & match proof

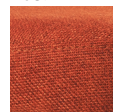
Special options

The special options below are available upon request against a minimum order quantity. Please contact your account manager for a specific custom made request

- Matt black powder-coated metal legs without upholstery

Soho Upholstery

557-020-007
Rust



Vicky Velvet Upholstery

550-020-128 550-020-129
Blue Green

