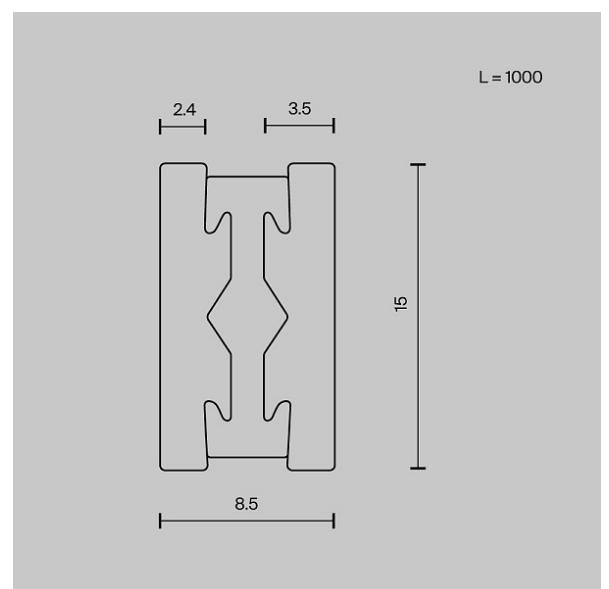
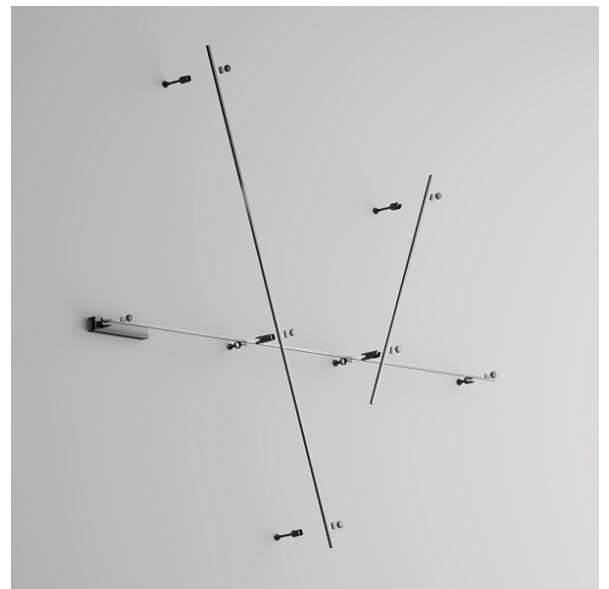


## Surface-mounted Pendant track Busbar trunkings Flarity Modular magnetic track system FLARITY 1000 Su rface-mounted-pendant Black

Series: Busbar trunkings Flarity Article: TRX154-111B

Article	TRX154-111B
Brand	Technical
Collection	Modular magnetic track system FLARITY
Series	Busbar trunkings Flarity
Product type	Surface-mounted Pendant track
Fitting color	Black
Fitting material	Aluminum
IP protection	IP 20
Dimmable	No
Height	15 mm
Width	8.5 mm
Length	1000 mm
Voltage	DC 24 V V
Protection level	Class3
Warranty	2 years
Volume	0.0008 m <sup>3</sup>
Fireproof	No
Packing length	1020 mm
Net	0.22 kg



Gross	0.34 kg
Mounting type	Surface-mounted-pendant