

# Live parts lighting system components

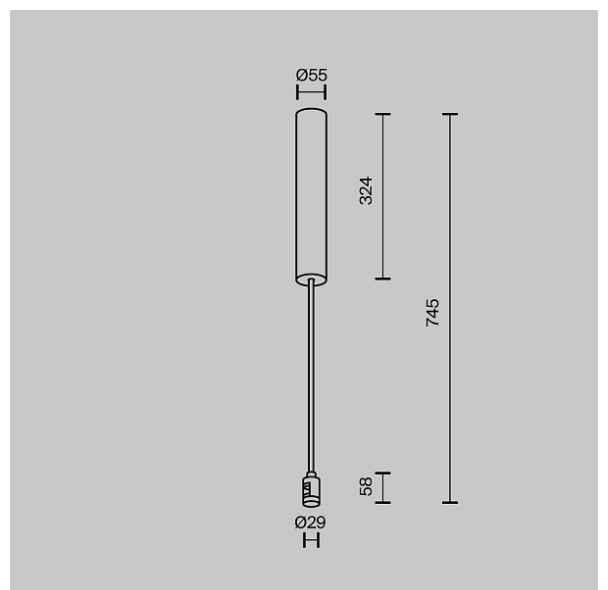
## Accessories for tracks

### Flarity Modular magnetic track system FLARITY

#### Surface-mounted Long Black

Series: Accessories for tracks Flarity Article: TRA159C-BB1-B

Article	TRA159C-BB1-B
Brand	Technical
Collection	Modular magnetic track system FLARITY
Series	Accessories for tracks Flarity
Product type	Live parts lighting system components
Fitting color	Black
Fitting material	Aluminum
IP protection	IP 20
Dimmable	No
Height	745 mm
Width	29 mm
Length	55 mm
Voltage	DC 24 V V
Diameter	29 mm
Protection level	Class3
Warranty	2 years
Volume	0.0024 m <sup>3</sup>
Fireproof	No



Packing length	750 mm
Net	0.47 kg
Gross	0.8 kg
Mounting type	Surface-mounted Long