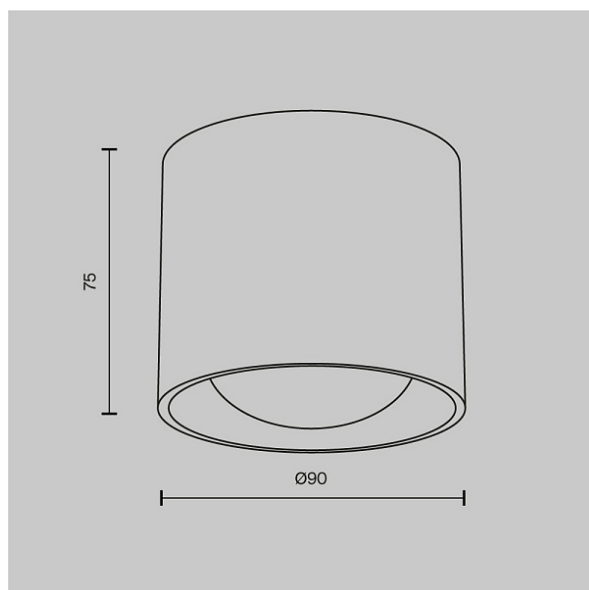


Ceiling luminaire Lens 15W 70°

Series: Lens Article: C217CL-15W3K-W

Article	C217CL-15W3K-W
Brand	Technical
Collection	Ceiling
Series	Lens
Product type	Ceiling luminaire
Fitting color	White
Fitting material	Aluminum
Color temperature	3000 K
IP protection	IP 44
Dimmable	No
Height	75 mm
Color rendering index	90 CRI
Beam angle	70 °
Tok	300 A
Voltage	50Hz AC 220-240 V
Diameter	90 mm
Protection level	Class2
Warranty	5 years
Power	15 W
Volume	0.001 m ³
Light flux	1070 Lm
Energy efficiency class	G
Fireproof	No
Packing length	100 mm
Net	0.62 kg



Gross	0.624 kg
-------	----------

Service life	30000 h
--------------	---------
