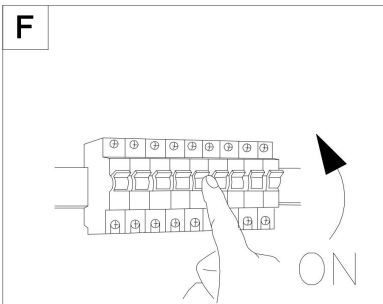
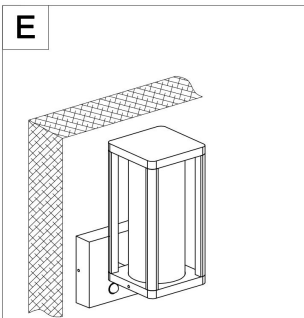
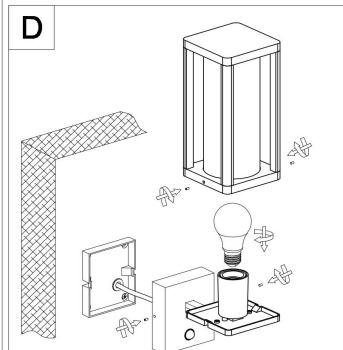
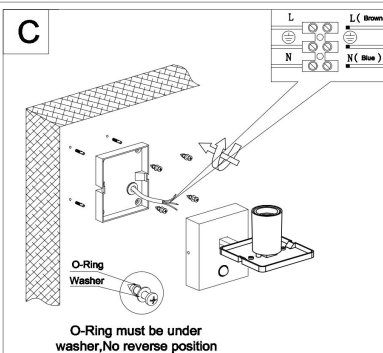
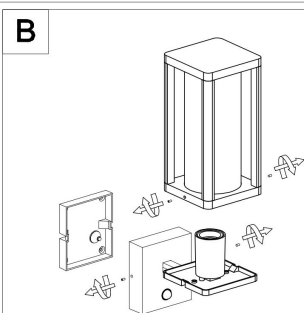
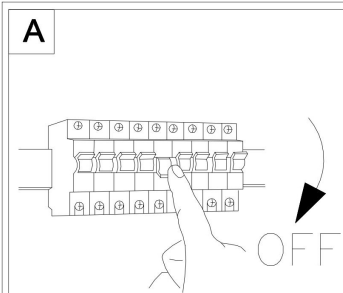
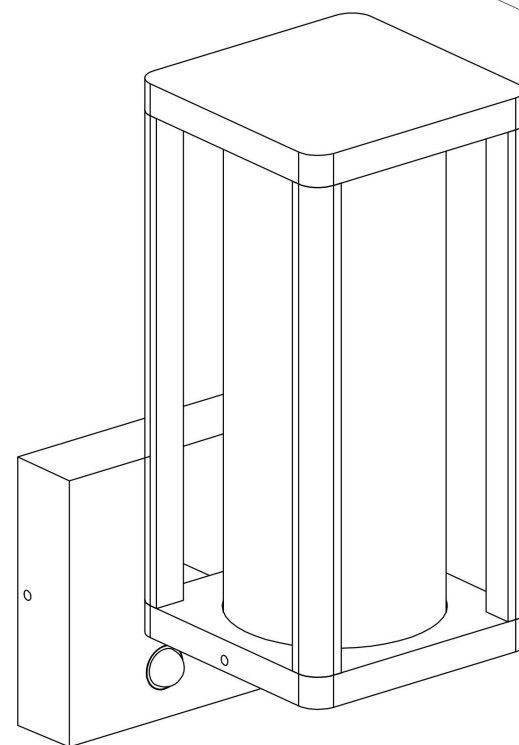


115

202

310



1xE27 15W

Model: O452WL-01GFSR  
Collection: Outdoor  
Series: Cell  
Wall Lamps