

DESCRIPTION AND PURPOSE OF THE DEVICE

The TRX034 series magnetic track system is the basis for building track lighting and is designed for mounting and supplying power to track lights in the DC electrical power grid with 48V of nominal voltage.

The track system is for internal use only where non-aggressive environment free of aerosol particles and temperature range of 0°C to +50°C are guaranteed. The relative humidity should be equal to less than 80 percent. It is possible to mount the track system to walls and ceilings made out of mildly flammable materials. The other option would be to carry out installation with cable suspensions. The track system is delivered in particles of different length: either 1, or 2 meters. It is possible to cut and connect those particles in various forms in order to assemble configurations depending on personal demand. Since the entire system is built specifically for 48V of nominal voltage, it is essential to select the necessary power source, which lights every bulb in the circuit.

It is crucial to note that the reserve power supply should not be less than 20% of the overall power consumption for optimal performance. Such ratio provides support for solid continuous functioning and prevents the luminaires from overheating.

SPECIFICATIONS

Track length	1m	2m
Article	TRX034-411B TRX034-421B	TRX034-412B TRX034-422B
Rated voltage	DC 48V	
Electrical shock protection class	III	
Mounting method	Surface-mounted/suspended/built-in	
Ingress Protection Code	IP20	
Climatic version	Boreal climate (4)	
Operating temperature	0°C - +50°C	
Material	Aluminum	
Color	Black	

SAFE OPERATION REGULATIONS



All installation and mounting services must be rendered by persons having the appropriate permits and qualifications. Please contact a qualified electrician, where necessary.

All installation and dismantling work should be performed in a powered down state only.

Operation of the track without a power source is forbidden. Do not connect the track directly to the 230V 50Hz AC mains to prevent the failure of lamps.

When building a track system, do not exceed the total current load of the selected power source considering the power reserve of 20%.

Do not install the track at a height below 2.5 meters, or in places where people may accidentally touch the track.

Maximum permissible load on rope TRA034SW-2B is 5 kg per 1 m.

Do not use the product with a damaged housing and damaged insulation of the supply cable.

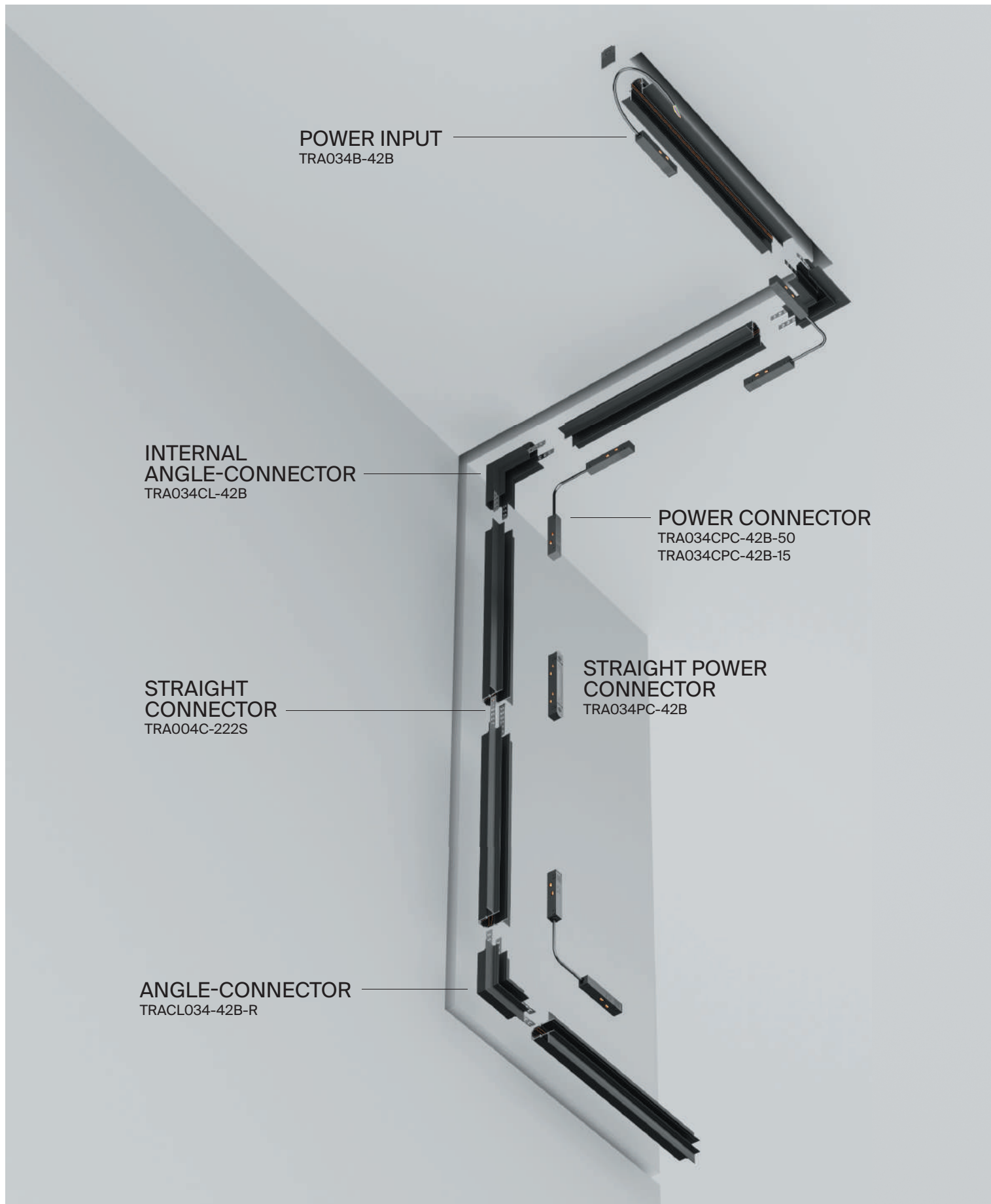
The product is intended for indoor use only.

Do not use the product in rooms with high humidity and with a high content of dust or aerosol particles in the air.

Use a soft, dry cloth to clean the product with the power switched off. Do not use chemically aggressive cleaning agents.

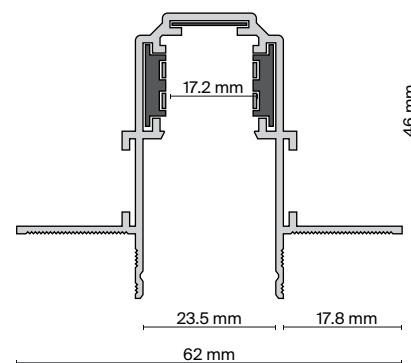
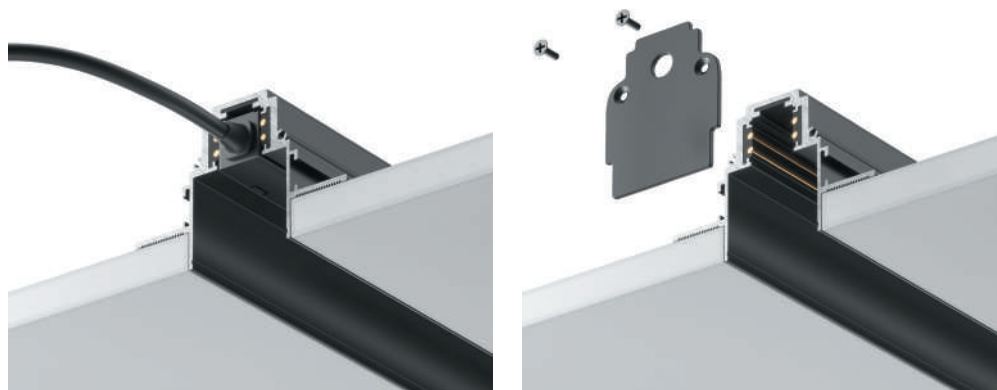
BUILD-IN TRACK

SCHEME OF IN-BUILT MAGNETIC TRACK EXILTY



ELEMENTS OF A MAGNETIC TRACK SYSTEM EXILITY FOR IN-BUILT MOUNTING

SYSTEM ELEMENT	COLOR	ARTICLE	SIZE
TRACK PLUGS AND DECORATIVE MOULDING IN INCLUDE	■ BLACK	TRX034-421B	H46 X W62 X L1000
	■ BLACK	TRX034-422B	H46 X W62 X L2000



SYSTEM ELEMENT	COLOR	ARTICLE
STRAIGHT CONNECTOR	■ SILVER	TRA004C-222S



SYSTEM ELEMENT	COLOR	ARTICLE
INTERNAL ANGLE-CONNECTOR	■ BLACK	TRA034CL-42B



SYSTEM ELEMENT	COLOR	ARTICLE
ANGLE-CONNECTOR	■ BLACK	TRACL034-42B-R



SYSTEM ELEMENT	COLOR	ARTICLE
RADIUS CONNECTOR	■ BLACK	TRA044-ANGLE



POWER CONNECTORS AND DRIVERS

SYSTEM ELEMENT	COLOR	ARTICLE	SIZE
----------------	-------	---------	------

POWER INPUT	■ BLACK	TRA034B-42B	H16 X W18 X L358
-------------	---------	-------------	------------------



SYSTEM ELEMENT	COLOR	ARTICLE
----------------	-------	---------

STRAIGHT POWER CONNECTOR	■ BLACK	TRA034PC-42B
--------------------------	---------	--------------



POWER CONNECTOR	■ BLACK	TRA034CPC-42B-50
	■ BLACK	TRA034CPC-42B-15



SYSTEM ELEMENT	COLOR	ARTICLE	SIZE	POWER
----------------	-------	---------	------	-------

DRIVERS	■ BLACK	TRA004DR-100S	H129 X W97 X L30	100W
	■ BLACK	TRA004DR-150S	H159 X W97 X L30	150W
	■ BLACK	TRA004DR-200S	H215 X W115 X L30	200W
	■ BLACK	TRA004DR-320S	H215 X W115 X L30	320W



REMOTE CONTROL FOR SMART LIGHT

SYSTEM ELEMENT	COLOR	ARTICLE
----------------	-------	---------

SMART EXILITY LIGHTING REMOTE PANEL	■ BLACK	DRC034-B
-------------------------------------	---------	----------

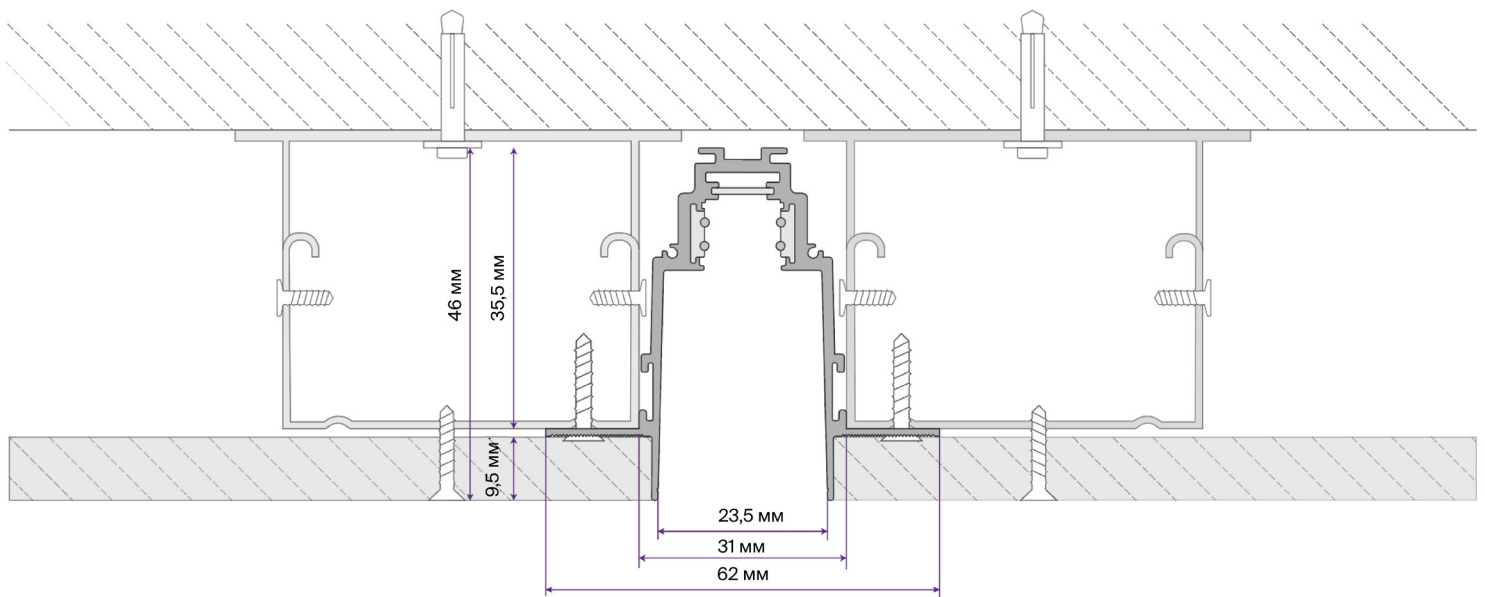


INSTALLATION DIAGRAM

INSTALLATION DIAGRAM FOR IN-BUILD TRACK

In-build magnetic track can be installed using 1 layer of drywall.

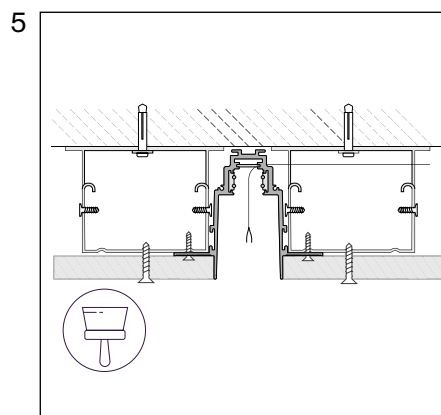
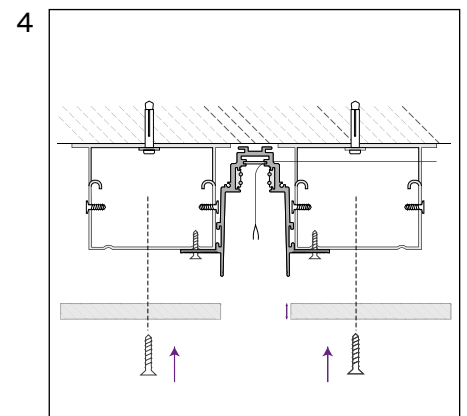
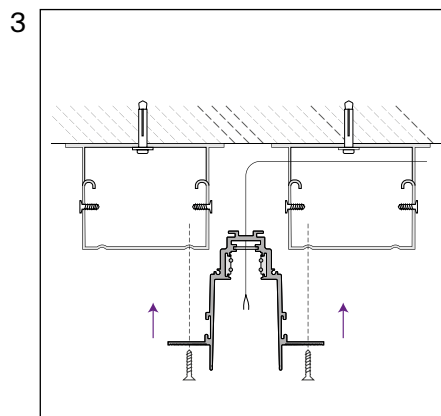
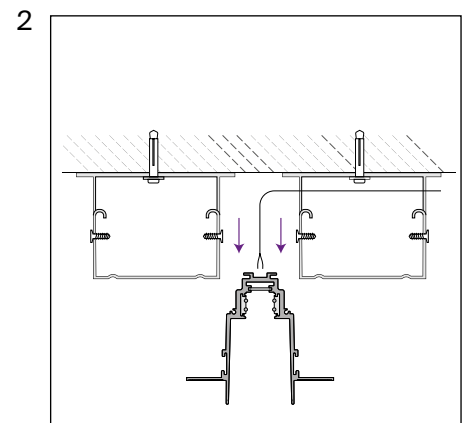
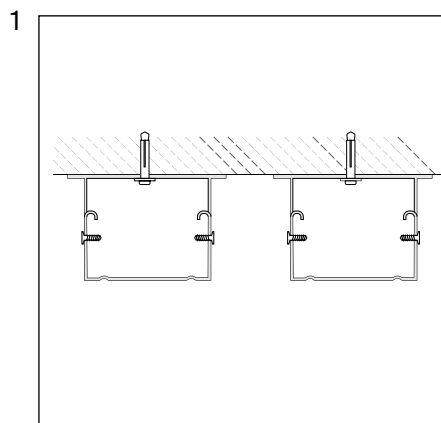
TRACK INSTALLED WITH 1 LAYER OF GYPSUM BOARD



INSTALLATION USING 1 SHEETS OF 9.5 MM PLASTERBOARD

IN-BUILD TRACK

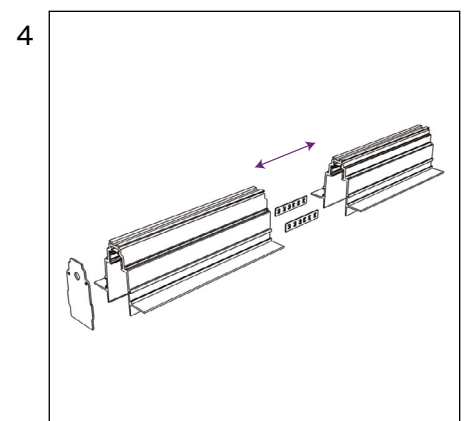
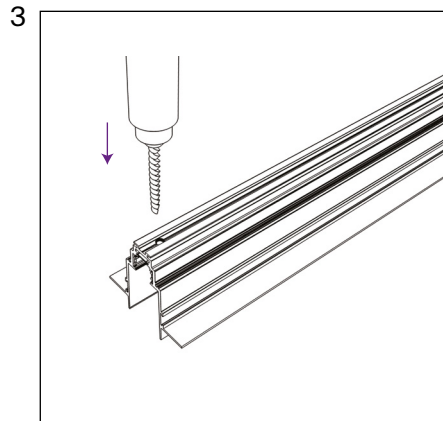
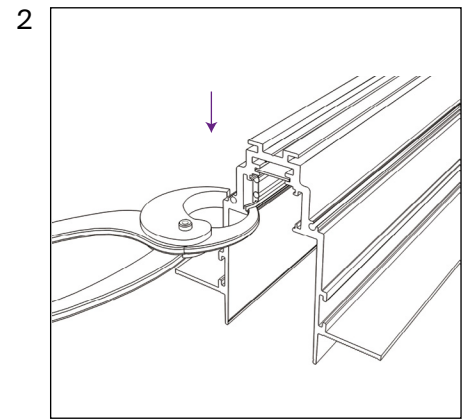
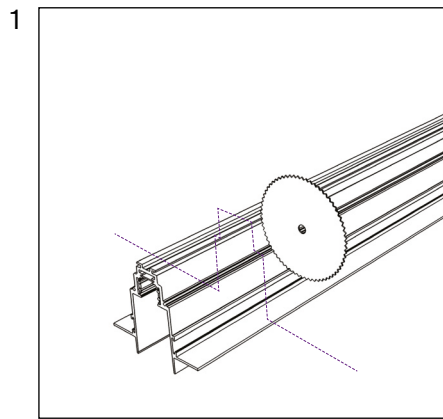
1. Install the ceiling profile with the required dimensions.
2. Insert the power cable into the track.
3. Install the track into the mounting groove and secure with self-tapping screws.
4. Install 9.5 mm drywall close to the walls of the track and secure with self-tapping screws.
5. Cover the drywall with putty flush with the walls of the track. Install the ceiling profile with the required dimensions.



INSTALLATION INSTRUCTION

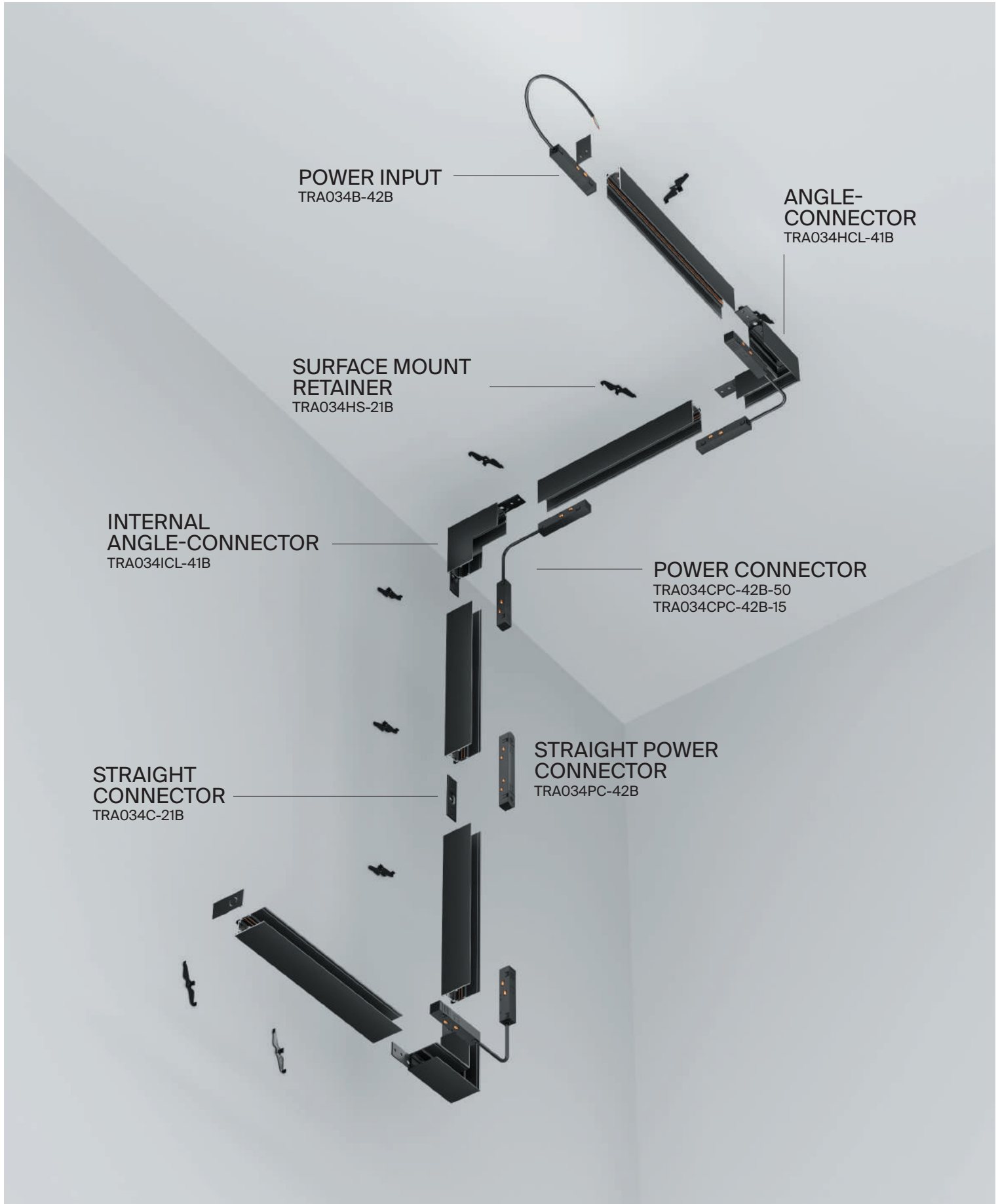
IN-BUILD TRACK

1. Cut the track according to the design dimensions. Cutting is allowed anywhere at an angle of 90 degrees.
2. Shorten the conductors by 5mm and crimp their guides into the track.
3. Drill holes for power cable entry and chamfer.
4. Connect the track sections with connectors and install the plugs. Drill holes for power cable entry and chamfer.



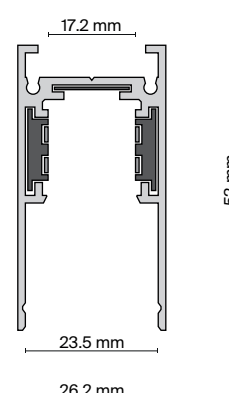
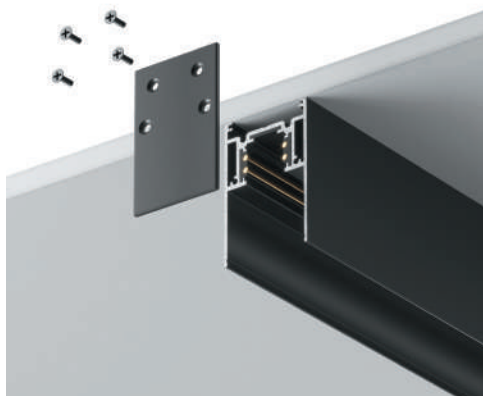
SURFACE AND SUSPENDED TRACK

SCHEME OF SURFACE AND SUSPENDED MAGNETIC TRACK EXILTY



ELEMENTS OF A MAGNETIC TRACK SYSTEM EXILITY FOR SURFACE AND SUSPENDED MOUNTING

SYSTEM ELEMENT	COLOR	ARTICLE	SIZE
TRACK PLUGS AND DECORATIVE MOULDING INCLUDE	■ BLACK	TRX034-411B	H52 X W26 X L1000
	■ BLACK	TRX034-412B	H52 X W26 X L2000



SYSTEM ELEMENT	COLOR	ARTICLE
STRAIGHT CONNECTOR	■ BLACK	TRA034C-21B



ANGLE-CONNECTOR	■ BLACK	TRA034HCL-41B
-----------------	---------	---------------



INTERNAL ANGLE-CONNECTOR	■ BLACK	TRA034ICL-41B
--------------------------	---------	---------------



SURFACE MOUNT RETAINER	■ BLACK	TRA034HS-21B
------------------------	---------	--------------



CABLE SUSPENSION (2PCS)	■ BLACK	TRA034SW-2B
-------------------------	---------	-------------



POWER CONNECTORS AND DRIVERS

SYSTEM ELEMENT	COLOR	ARTICLE	SIZE
----------------	-------	---------	------

POWER INPUT	■ BLACK	TRA034B-42B	H16 X W18 X L358
-------------	---------	-------------	------------------



SYSTEM ELEMENT	COLOR	ARTICLE
----------------	-------	---------

STRAIGHT POWER CONNECTOR	■ BLACK	TRA034PC-42B
--------------------------	---------	--------------

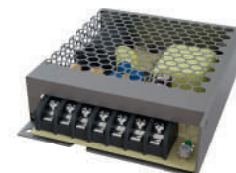


POWER CONNECTOR	■ BLACK	TRA034CPC-42B-50
	■ BLACK	TRA034CPC-42B-15



SYSTEM ELEMENT	COLOR	ARTICLE	SIZE	POWER
----------------	-------	---------	------	-------

DRIVERS	■ BLACK	TRA004DR-100S	H129 X W97 X L30	100W
	■ BLACK	TRA004DR-150S	H159 X W97 X L30	150W
	■ BLACK	TRA004DR-200S	H215 X W115 X L30	200W
	■ BLACK	TRA004DR-320S	H215 X W115 X L30	320W



REMOTE CONTROL FOR SMART LIGHT

SYSTEM ELEMENT	COLOR	ARTICLE
----------------	-------	---------

SMART EXILITY LIGHTING REMOTE PANEL	■ BLACK	DRC034-B
-------------------------------------	---------	----------

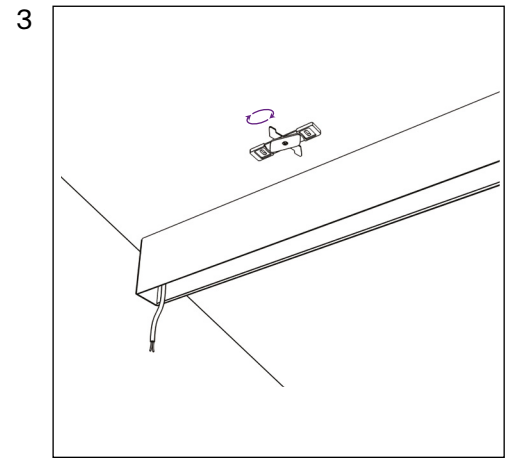
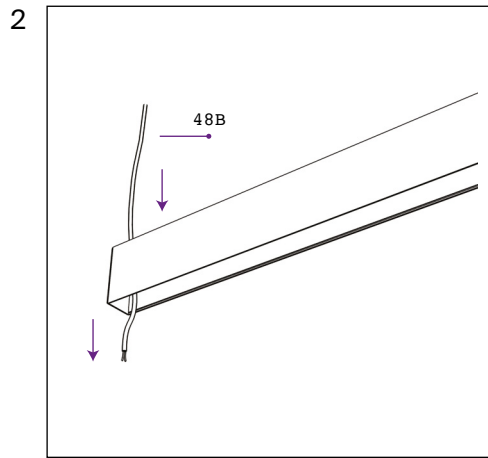
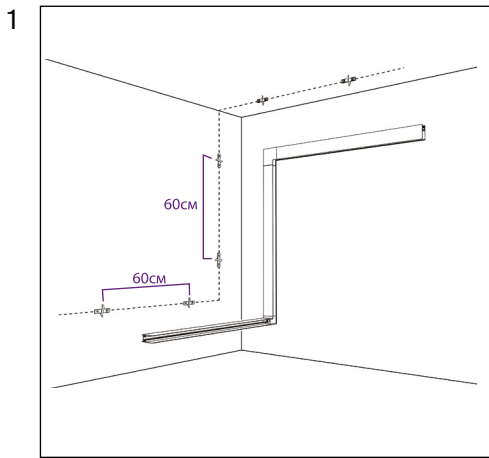


INSTALLATION INSTRUCTION

SURFACE-MOUNTED MAGNETIC TRACK

SURFACE MOUNTING WITH SURFACE MOUNT RETAINER

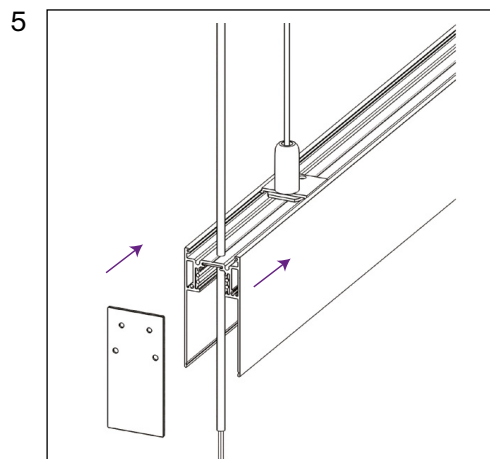
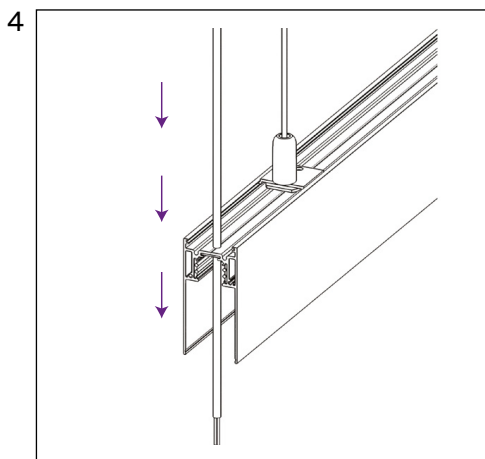
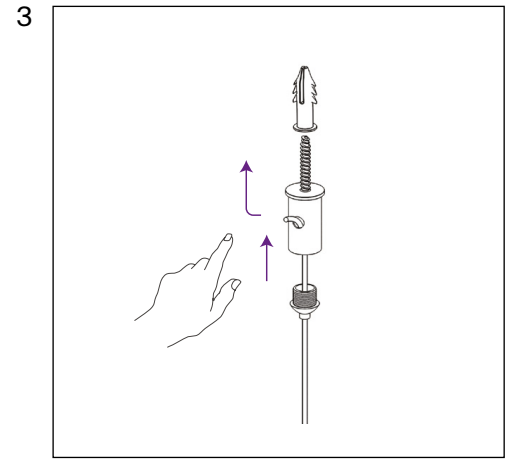
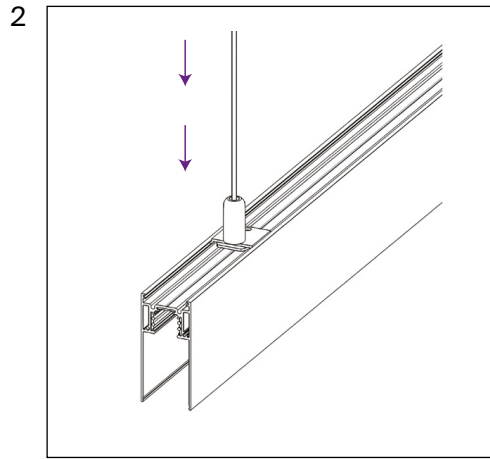
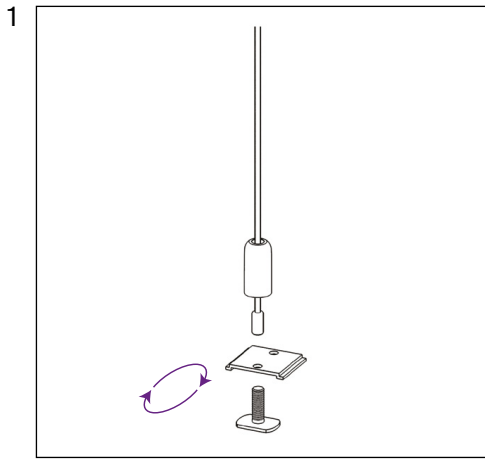
1. Attach the surface mount retainer for the overhead track to the wall at 60cm intervals.
2. Insert the power cable into the track through the prepared hole.
3. Attach the track close to the wall and turn the lever on the latches.



INSTALLATION INSTRUCTION

SUSPENDED MOUNTING OF MAGNETIC TRACK

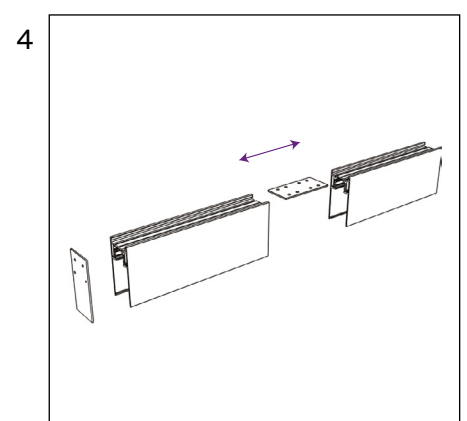
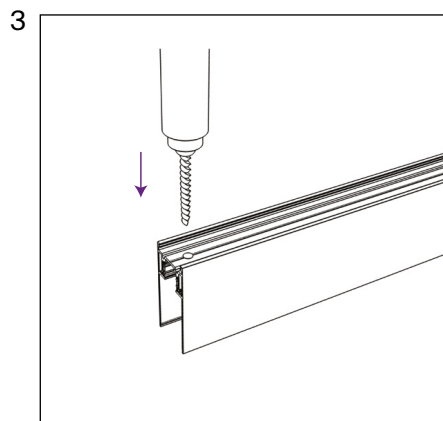
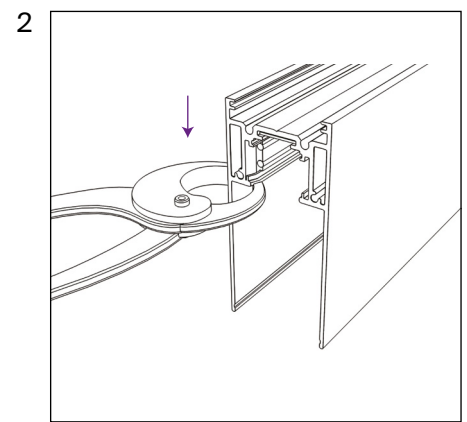
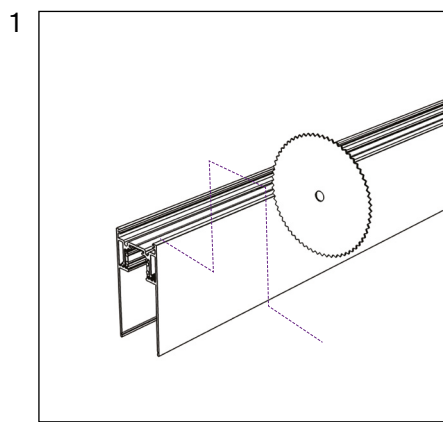
1. Screw the hangers into the base.
2. Install the hangers into the groove on the back of the track.
3. Attach the cable holder. Insert the cables into the holders. Adjust the length of the hangers.
4. Insert the power cable into the track.
5. Install plugs



INSTALLATION INSTRUCTION

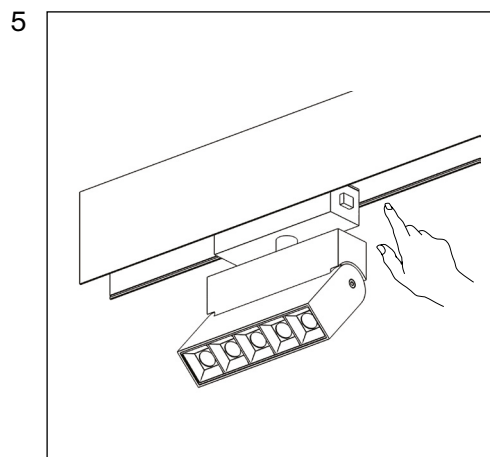
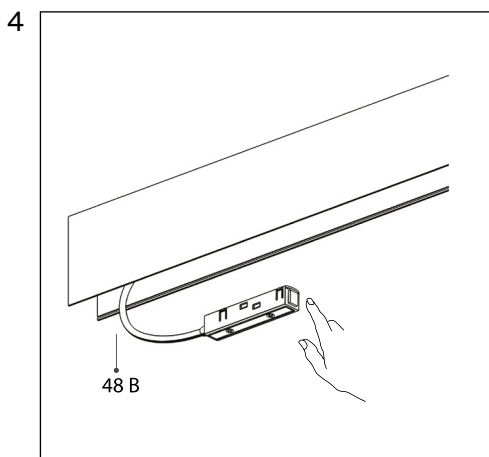
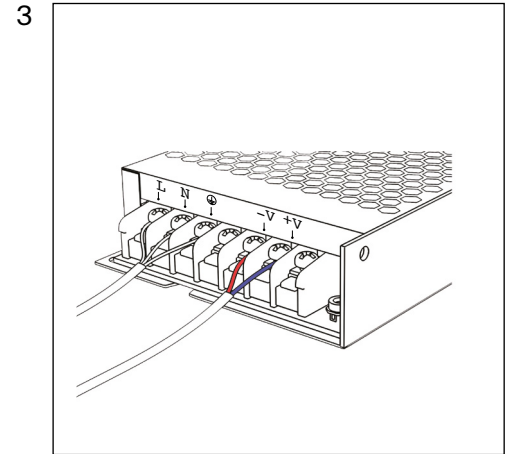
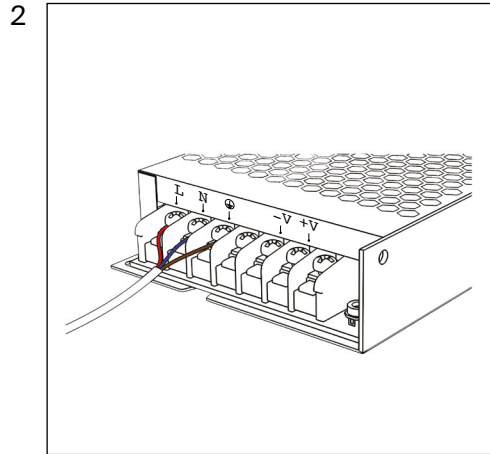
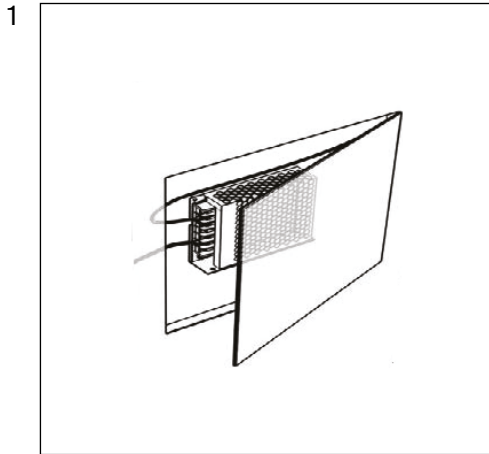
SURFACE AND SUSPENDED TRACK

1. Cut the track according to the design dimensions. Cutting is allowed anywhere at an angle of 90 degrees.
2. Shorten the conductors by 5mm and crimp their guides into the track.
3. Drill holes for power cable entry and chamfer.
4. Connect the track sections with connectors and install the plugs.



CONNECTING THE POWER TO THE TRACK

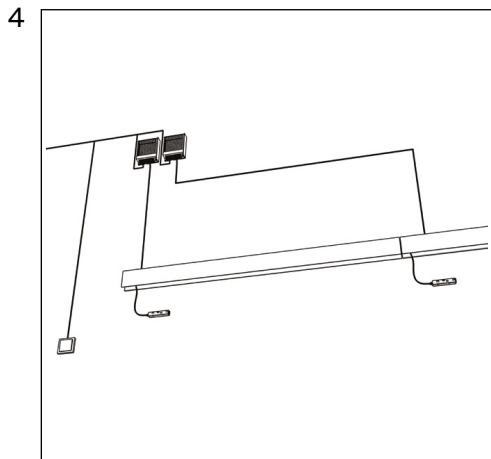
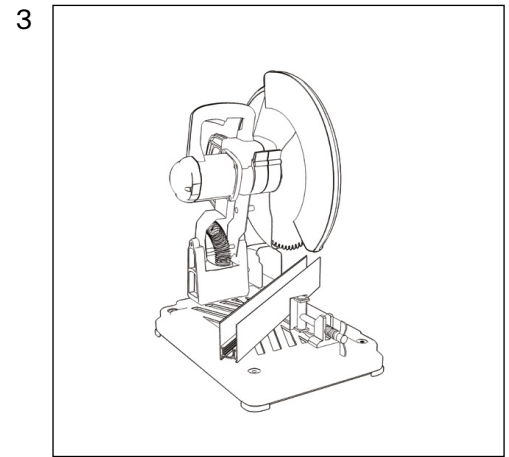
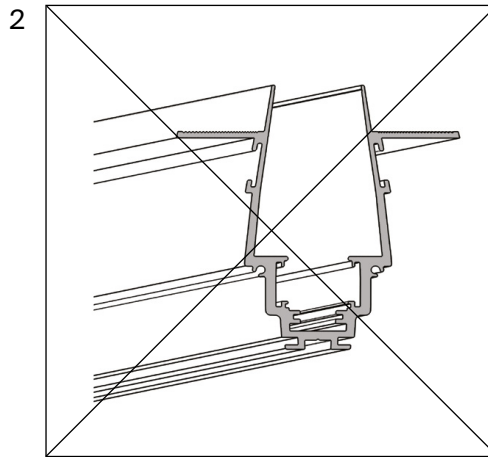
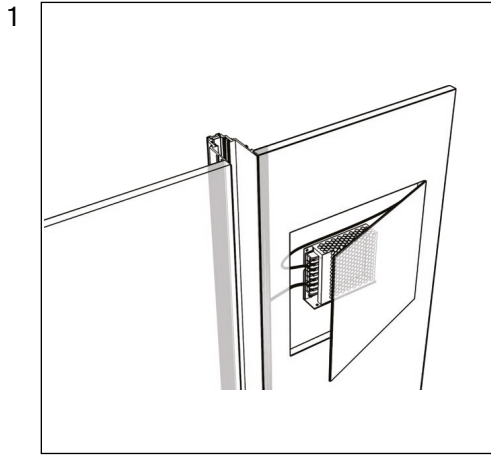
1. Prepare a niche, place a driver in it and bring a 230V 50Hz power cable to it.
2. Connect the driver to the network 230V 50Hz according to the designations on it. The power reserve of the driver must be at least 20%.
3. Connect the power input of the truck to the appropriate terminals of the driver (black, brown wires to the V+ terminal, white and blue wires to the V- terminal).
4. Install the connected power inlet to the track. Press the button and insert the adapter until it clicks. Connection is carried out when the electrical network is switched off.
5. Install lights. Install the luminaire into the track until it clicks, in models equipped with buttons on the base, they must be pressed to install.



*The colors of the wires may vary from batch to batch, in order not to mix up the polarity, see the marking of the power input.

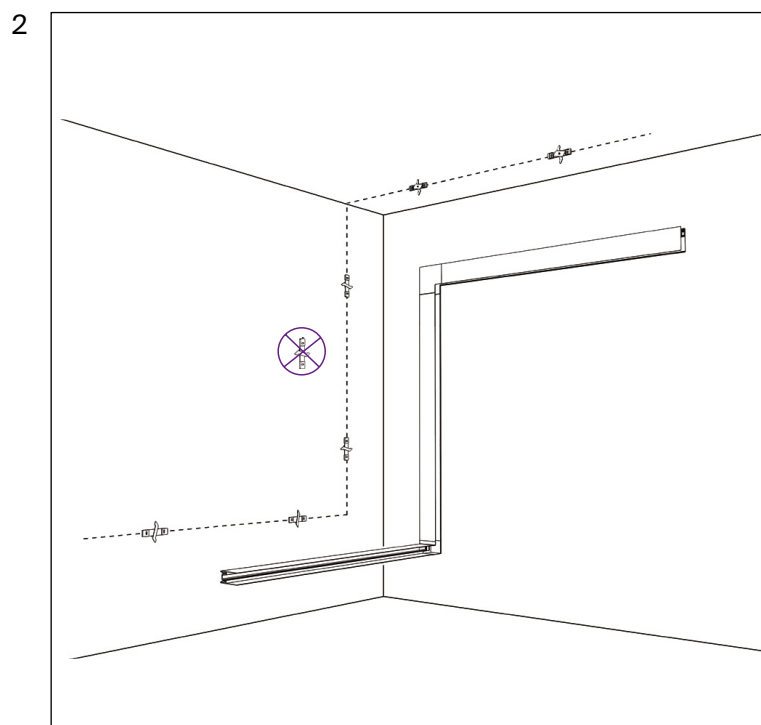
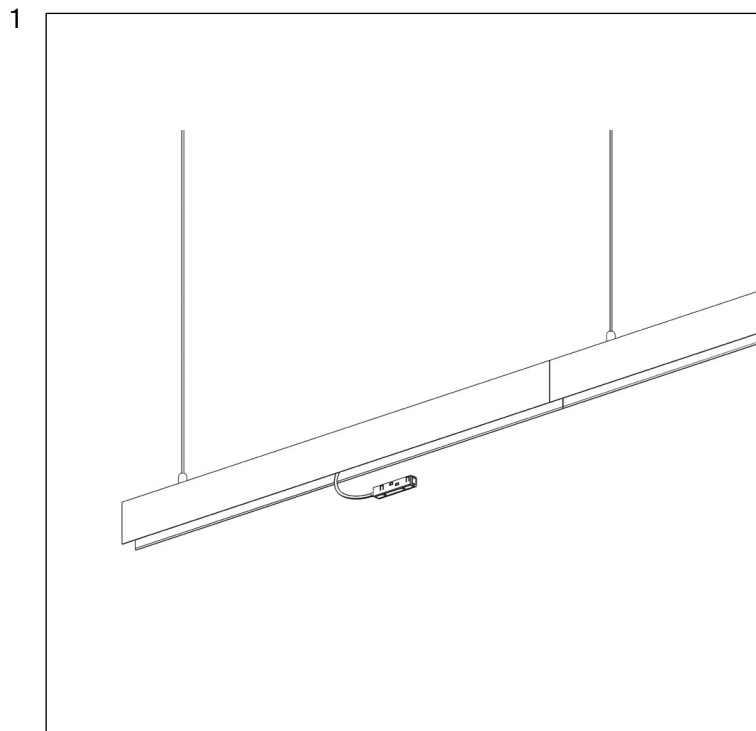
TIPS AND PRECAUTIONS

1. When planning the placement of system elements, be sure to include an inspection hatch in the project to service the driver.
2. Do not deform the track during transport and installation.
3. When cutting track, use professional equipment, or use the services of an organization providing such services.
4. Through 1 power input, you can connect lamps with a maximum total power of 400W and a track no longer than 20 meters. If the specified power or length is exceeded, it is necessary to connect subsequent sections through a new power input.



POWER INPUT

1. The power input can be installed in any section of the busbar, guided by rule 1, the input feeds no more than 20 meters of the track.
2. Be extremely precise when laying out and installing the wall brackets. If you move them out of the path of the truck, you may have difficulty installing it.



Fault description	Cause	Remedy
The lamp does not work	Loose connection of current-carrying parts	Install the lighting fixture on the track until full contact between the adapter and current-carrying wires is reached Check the contacts of the lead-in cable, connection of the lead-in contacts to the track, and other connections.
	Contact the seller for a replacement under warranty	Contact the seller for a replacement under warranty
	Malfunction of lighting fixture	
The lighting fixture flashes or glows dimly in switched-off state	A switch with illuminated keys is installed, or a motion (light) sensor is used to control the lighting circuit	Replace the switch with a model without backlit keys, or with auxiliary incorporated resistor. Use the motion (light) sensor with a relay output only
Replace the switch with a model without backlit keys, or with auxiliary incorporated resistor. Use the motion (light) sensor with a relay output only	Brightness control (dimmer switch) is installed in the power supply circuit	Defective power supply source / lamp driver
	Defective power supply source / lamp driver	Defective power supply source / lamp driver

STORAGE

Store the product indoors, in the original packaging in a place protected from aggressive environment. Store at a temperature in the range from -20 °C to +70°C and relative humidity not exceeding 95%. Direct exposure to moisture is not allowed.

TRANSPORTATION

The product is shipped in a package which is suitable for transportation by sea, rail, road and air.

DISPOSAL

Do not dispose the product with the regular household waste!
Products must be disposed according to the directive on electrical and electronic devices at local collection points for such devices!

WARRANTY

The warranty is granted for a period of 24 months from the date of sale which is determined on the basis of documents serving as proof of purchase.

This warranty covers defects in workmanship provided that all rules of operation, transportation and storage given in this manual are complied with.

The warranty is not valid in following cases: if the product has been used for the purposes other than it is intended for; the malfunction occurred after the handover of goods to the consumer and was caused by improper or negligent handling, failure to observe the requirements set forth in these instructions. And in force majeure circumstances as well, in particular in the following events: fire, flood, high-voltage discharges, and other natural disasters, accidents and wilful acts of third parties that caused the product to malfunction.

MANUFACTURER

Maytoni GmbH, Feldstiege 98, Münster, Germany, 48161

IMPORTER

Maytoni GmbH, Feldstiege 98, Münster, Germany, 48161

www.maytoni.de
Developed in Germany.
Made in China.
Shelf life is not limited.

