



# DESCRIPTION AND PURPOSE USE OF THE DEVICE

The TRX034 series magnetic track system is the basis for building track lighting and is designed for mounting and supplying power to track lights in the DC electrical power grid with 48V of nominal voltage.

The track system is for internal use only where non-aggressive environment free of aerosol particles and temperature range of 0°C to +50°C are guaranteed. The relative humidity should be equal to less than 80 percent. It is possible to mount the track system to walls and ceilings made out of mildly flammable materials. The other option would be to carry out installation with cable suspensions. The track system is delivered in particles of different length: either 1, or 2 meters. It is possible to cut and connect those particles in various forms in order to assemble configurations depending on personal demand. Since the entire system is built specifically for 48V of nominal voltage, it is essential to select the necessary power source, which lights every bulb in the circuit.

It is crucial to note that the reserve power supply should not be less than 20% of the overall power consumption for optimal performance. Such ratio provides support for solid continuous functioning and prevents the luminaires from overheating."

## SPECIFICATIONS

Segment length	1m	2m
Article	TRX034-411B TRX034-421B	TRX034-412B TRX034-422B
Rated voltage	DC 48V	
Electrical shock protection class	III	
Mounting method	surface-mounted/suspended/built-in	
Ingress Protection Code	IP20	
Climatic version	Boreal climate (4)	
Operating temperature	0°C - +50°C	
Material	Aluminum	
Color	Black	

# REGELN FÜR DEN SICHEREN BETRIEB



All installation and mounting services must be rendered by persons having the appropriate permits and qualifications. Please contact a qualified electrician, where necessary.

All installation and dismantling work should be performed in a powered down state only.

Operation of the track without a power source is forbidden. Do not connect the track directly to the 230V 50Hz AC mains to prevent the failure of lamps.

When building a track system, do not exceed the total current load of the selected power source considering the power reserve of 20%.

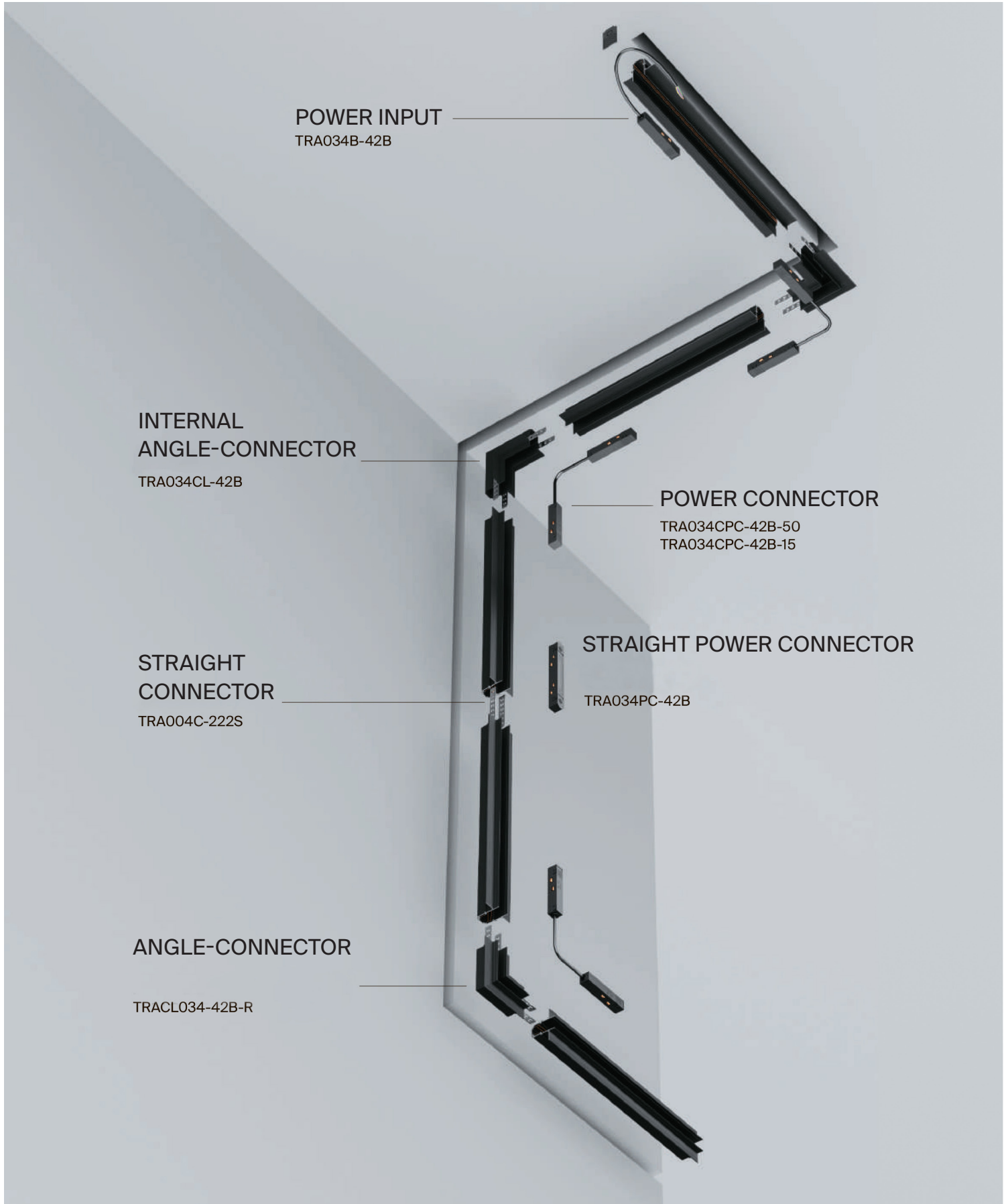
Maximum permissible load on rope TRA034SW-2B is 5 kg per 1 m.  
Do not use the product with a damaged housing and damaged insulation of the supply cable.

The product is intended for indoor use only.  
Do not use the product in rooms with high humidity and with a high content of dust or aerosol particles in the air.

Use a soft, dry cloth to clean the product with the power switched off. Do not use chemically aggressive cleaning agents.

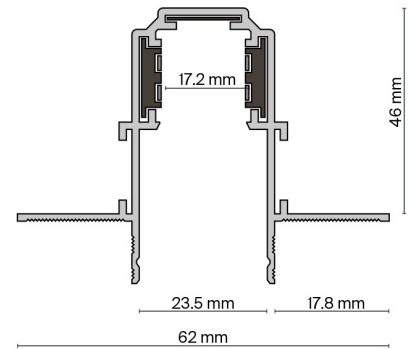
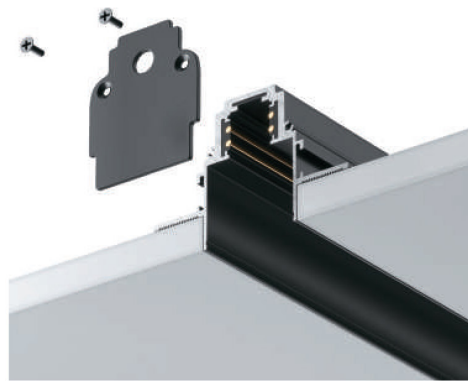
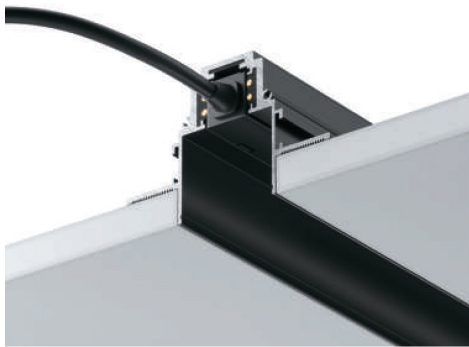
# BUILD-IN TRACK

## SCHEME OF IN-BUILT MAGNETIC TRACK EXILTY



# ELEMENTS OF A MAGNETIC TRACK SYSTEM EXILITY FOR IN-BULID MOUNTING

SYSTEM ELEMENT	COLOR	ARTICLE	SIZE
TRACK COMPLETED WITH PLUGS AND DECORATIVE EDGE MOULDING	■ BLACK	TRX034-421B	H46 X W62 X L1000
	■ BLACK	TRX034-422B	H46 X W62 X L2000



SYSTEM ELEMENT	COLOR	ARTICLE
STRAIGHT CONNECTOR	■ SILVER	TRA004C-222S
INTERNAL ANGLE-CONNECTOR	■ BLACK	TRA034CL-42B
ANGLE-CONNECTOR	■ BLACK	TRACL034-42B-R
RADIUS CONNECTOR	■ BLACK	TRA044-ANGLE



# POWER CONNECTORS AND DRIVERS

SYSTEM ELEMENT	COLOR	ARTICLE	SIZE
POWER SUPPLY	■ BLACK	TRX034DR4-100B-1	H44 X W23 X L300
	■ BLACK	TRX034DR4-200B-1	H44 X W23 X L325



POWER INPUT	■ BLACK	TRA034B-42B	H16 X W18 X L358
-------------	---------	-------------	------------------



SYSTEM ELEMENT	COLOR	ARTICLE
STRAIGHT POWER CONNECTOR	■ BLACK	TRA034PC-42B



POWER CONNECTOR	■ BLACK	TRA034CPC-42B-50
	■ BLACK	TRA034CPC-42B-15



SYSTEM ELEMENT	COLOR	ARTICLE	SIZE	POWER
DRIVERS	■ BLACK	TRA004DR-100S	H129 X W97 X L30	100W
	■ BLACK	TRA004DR-150S	H159 X W97 X L30	150W
	■ BLACK	TRA004DR-200S	H215 X W115 X L30	200W
	■ BLACK	TRA004DR-320S	H215 X W115 X L30	320W



# REMOTE CONTROL FOR SMART LIGHT

SYSTEM ELEMENT	COLOR	ARTICLE
FERNBEDIENUNG FÜR DIE LICHTSTEUERUNG	■ BLACK	DRC034-B

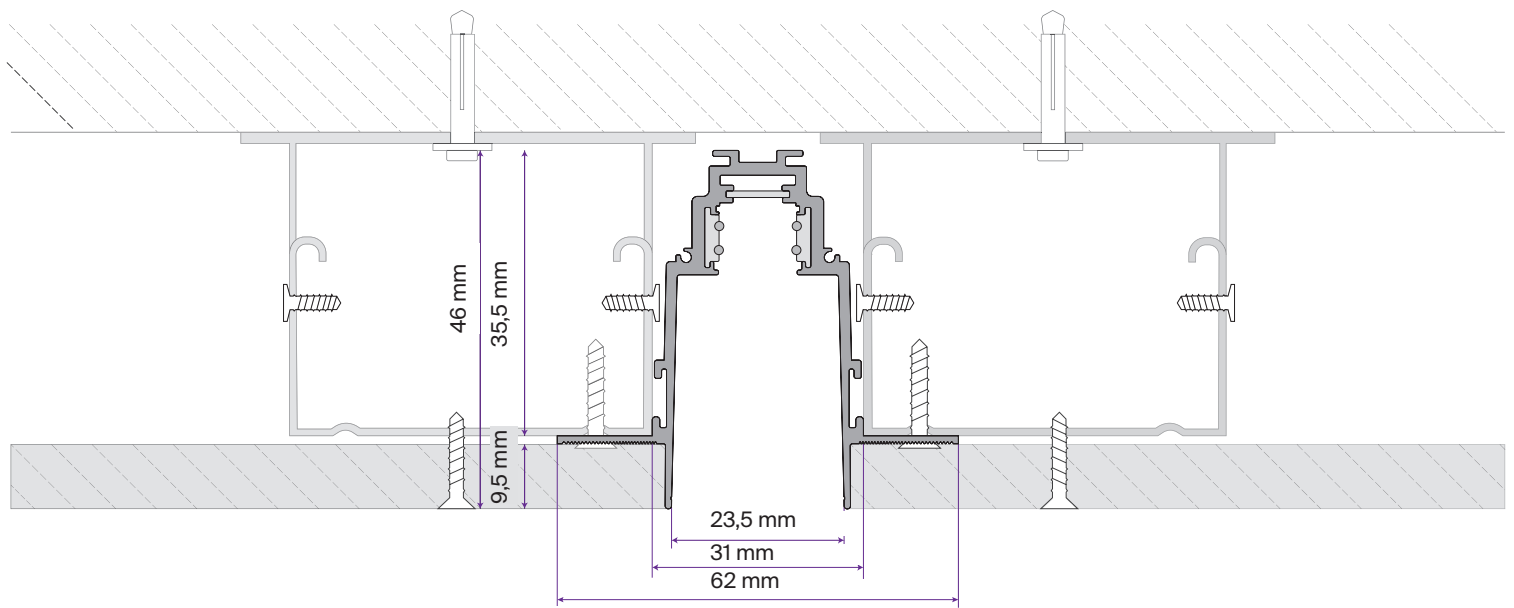


# INSTALLATION DIAGRAM

## INSTALLATION DIAGRAM FOR IN-BUILD MAGNETIC TRACK

In-build magnetic track can be installed  
using 1 layer of drywall.

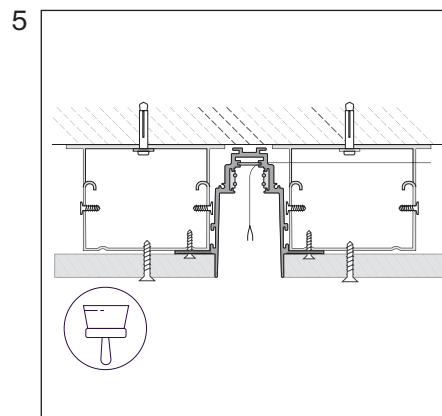
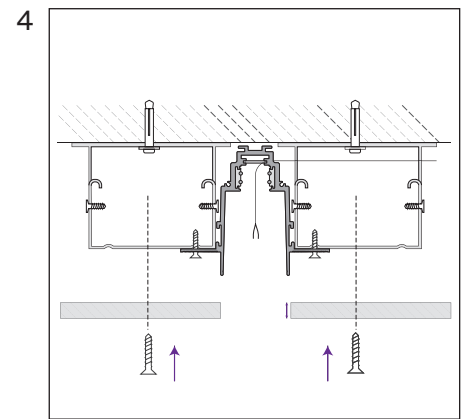
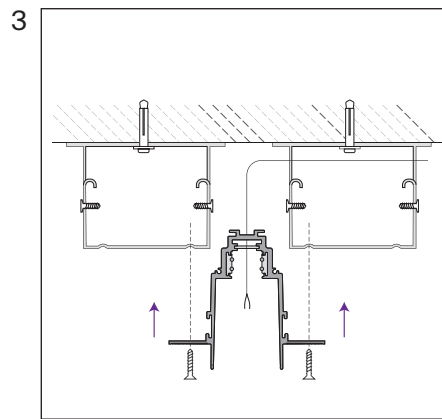
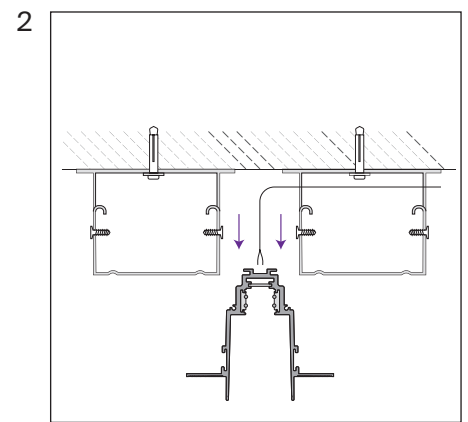
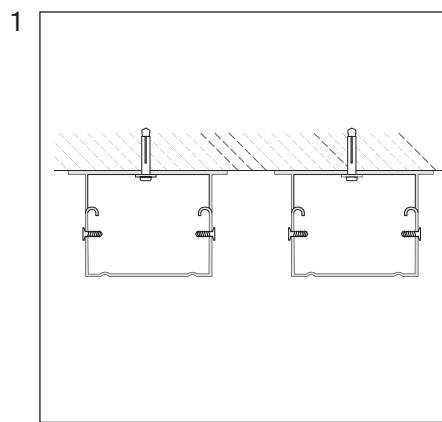
### TRACK INSTALLED WITH 1 LAYER OF GYPSUM BOARD



# INSTALLATION USING 1 SHEETS OF 9,5 MM PLASTERBOARD

## IN-BUILD TRACK

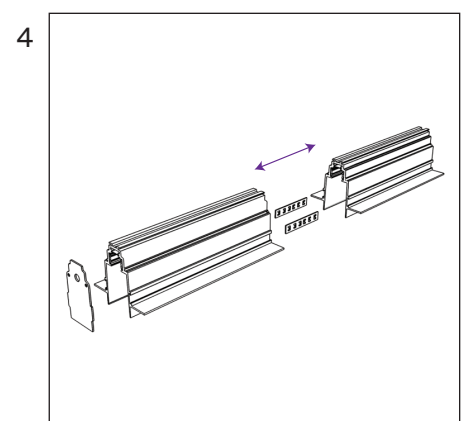
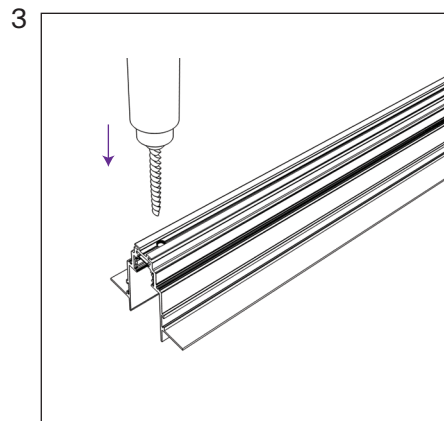
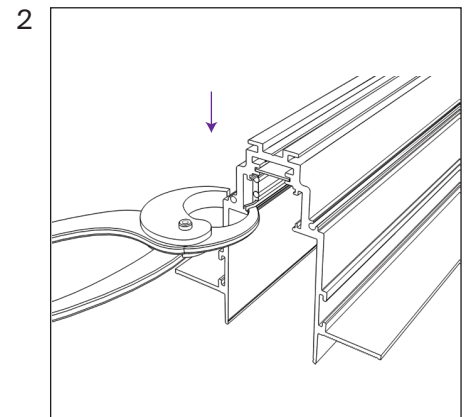
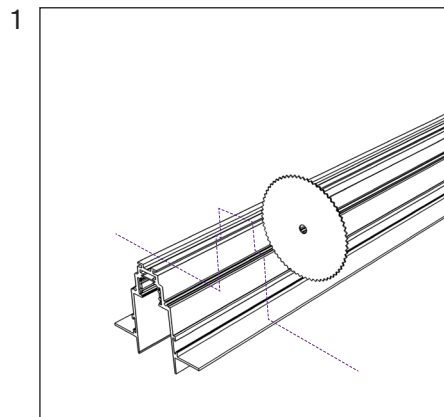
1. Install the ceiling profile with the required dimensions.
2. Insert the power cable into the track.
3. Install the track into the mounting groove and secure with self-tapping screws.
4. Install 9.5 mm drywall close to the walls of the track and secure with self-tapping screws.
5. Cover the drywall with putty flush with the walls of the track. Install the ceiling profile with the required dimensions.





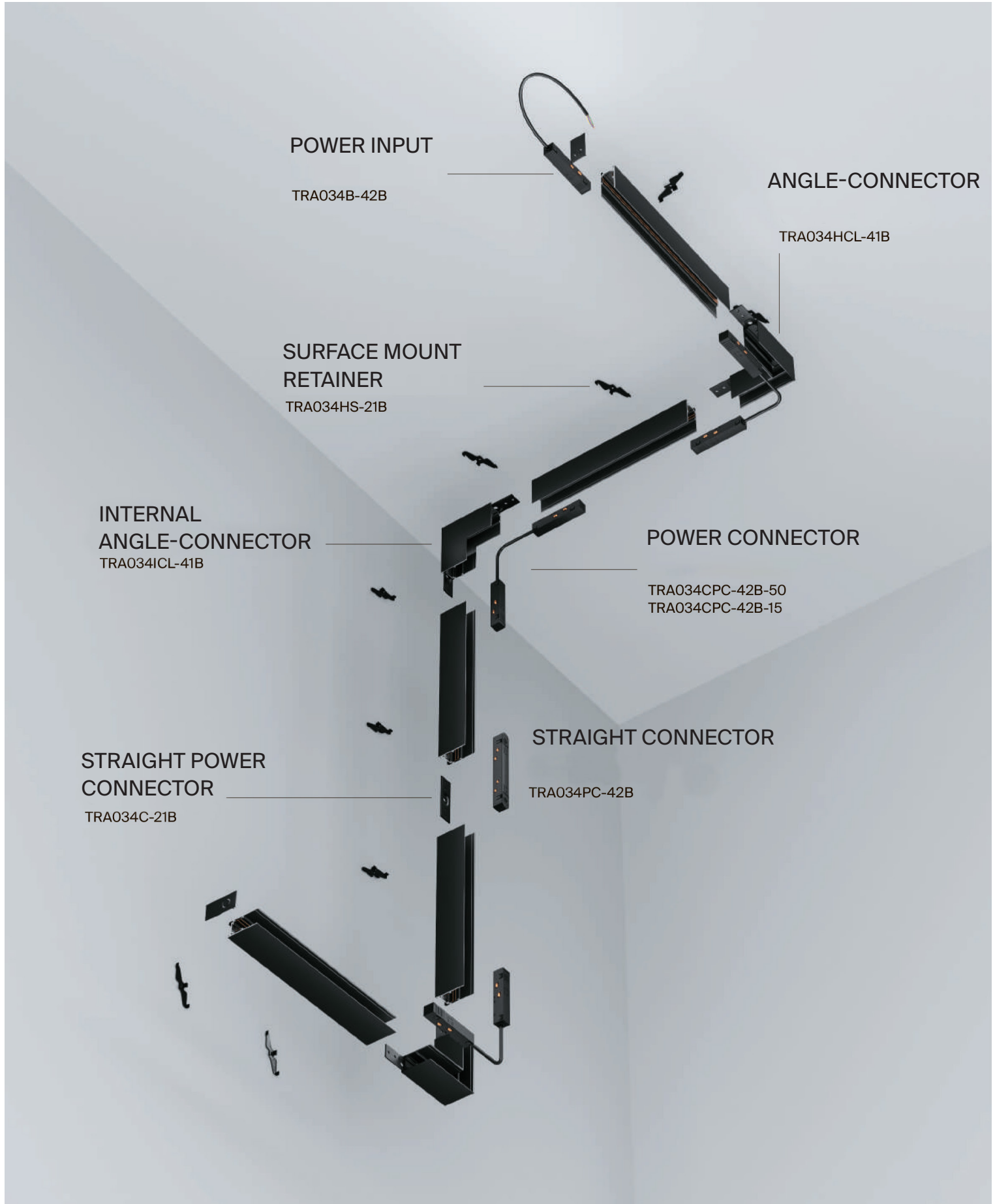
# INSTALLATION INSTRUCTION

1. Cut the track according to the design dimensions. Cutting is allowed anywhere at an angle of 90 degrees.
2. Shorten the conductors by 5mm and crimp their guides into the track.
3. Drill holes for power cable entry and chamfer.
4. Connect the track sections with connectors and install the plugs.



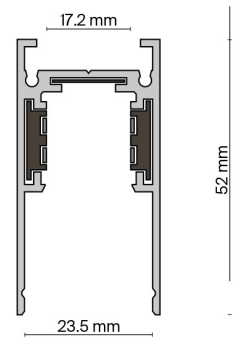
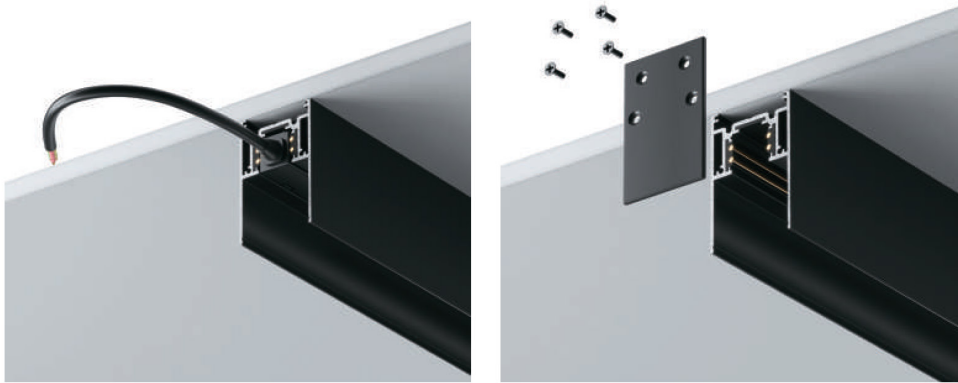
# SURFACE AND SUSPENDED TRACK

## SCHEME OF SURFACE AND SUSPENDED MAGNETIC TRACK EXILITY



# ELEMENTS OF A MAGNETIC TRACK SYSTEM EXILITY FOR SURFACE AND SUSPENDED MOUNTING

SYSTEM ELEMENT	COLOR	ARTICLE	SIZE
TRACK PLUGS AND DECORATIVE MOULDING IN INCLUDE	■ BLACK	TRX034-411B	H52 X W26 X L1000
	■ BLACK	TTRX034-412B	H52 X W26 X L2000



SYSTEM ELEMENT	COLOR	ARTICLE
STRAIGHT CONNECTOR	■ BLACK	TRA034C-21B
ANGLE-CONNECTOR	■ BLACK	TRA034HCL-41B
INTERNAL ANGLE-CONNECTOR	■ BLACK	TRA034ICL-41B
SURFACE MOUNT RETAINER	■ BLACK	TRA034HS-21B
CABLE SUSPENSION (2 PCS.)	■ BLACK	TRA034SW-2B



# POWER CONNECTORS AND DRIVERS

SYSTEM ELEMENT	COLOR	ARTICLE	SIZE
----------------	-------	---------	------

POWER SUPPLY	BLACK	TRX034DR4-100B-1	H44 X W23 X L300
	BLACK	TRX034DR4-200B-1	H44 X W23 X L325

POWER INPUT	BLACK	TRA034B-42B	H16 X W18 X L358
-------------	-------	-------------	------------------

SYSTEM ELEMENT	COLOR	ARTICLE
----------------	-------	---------

STRAIGHT POWER CONNECTOR	BLACK	TRA034PC-42B
--------------------------	-------	--------------

POWER CONNECTOR	BLACK	TRA034CPC-42B-50
-----------------	-------	------------------

BLACK	TRA034CPC-42B-15
-------	------------------

SYSTEM ELEMENT	COLOR	ARTICLE	SIZE	POWER
----------------	-------	---------	------	-------

DRIVERS	BLACK	TRA004DR-100S	H129 X W97 X L30	100W
	BLACK	TRA004DR-150S	H159 X W97 X L30	150W
	BLACK	TRA004DR-200S	H215 X W115 X L30	200W
	BLACK	TRA004DR-320S	H215 X W115 X L30	320W



# REMOTE CONTROL FOR SMART LIGHT

SYSTEM ELEMENT	COLOR	ARTICLE
----------------	-------	---------

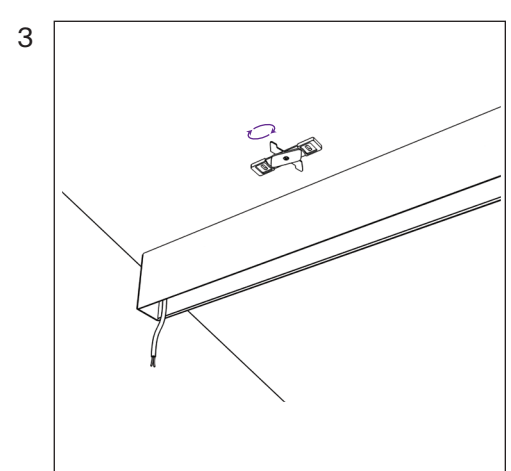
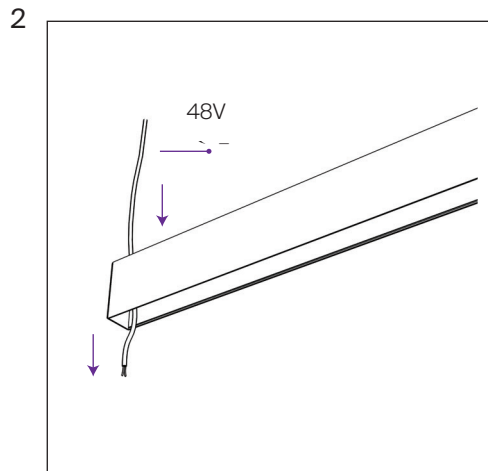
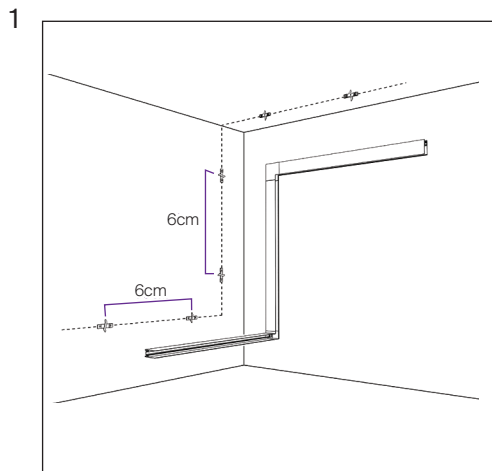
SMART EXILITY LIGHTING REMOTE PANEL	BLACK	DRC034-B
-------------------------------------	-------	----------



## SURFACE-MOUNTED MAGNETIC TRACK

### SURFACE MOUNTING WITH SURFACE MOUNT RETAINER

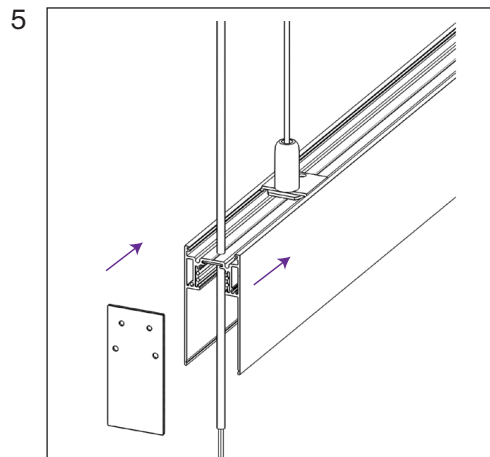
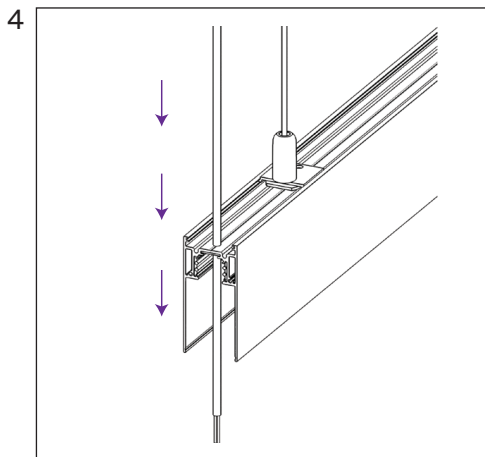
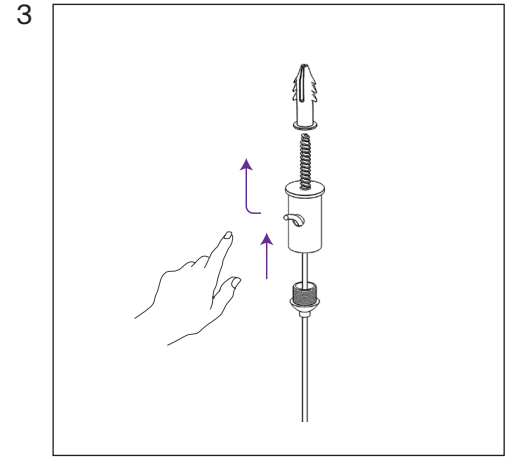
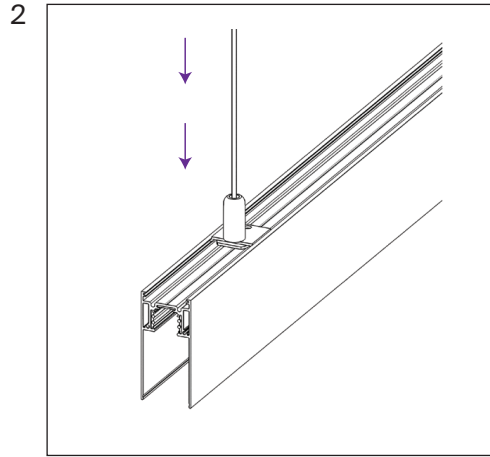
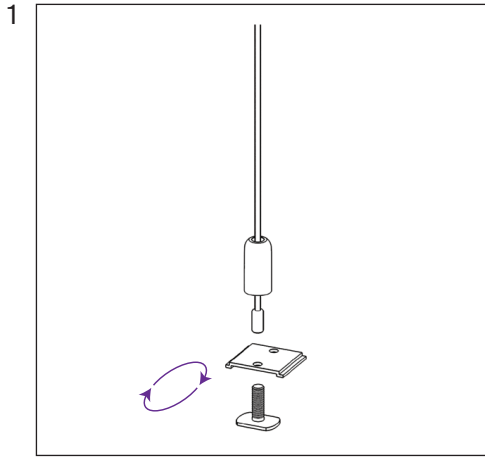
1. Attach the surface mount retainer for the overhead track to the wall at 60cm intervals.
2. Insert the power cable into the track through the prepared hole.
3. Attach the track close to the wall and turn the lever on the latches.



# INSTALLATION MANUAL

## INSTALLATION OF MAGNETIC TRACK IN A SUSPENDED WAY

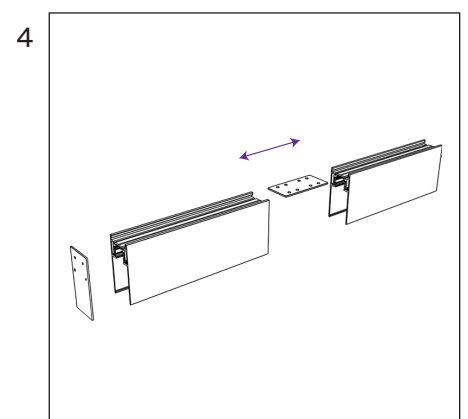
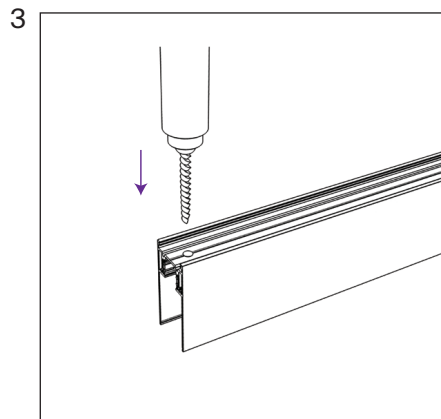
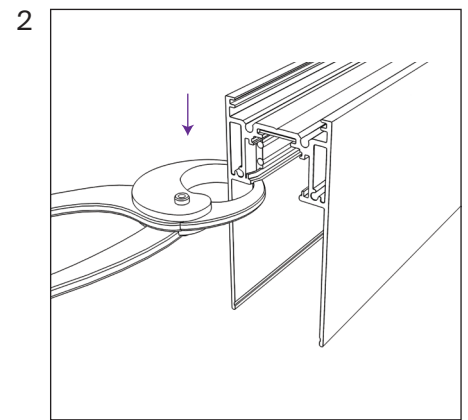
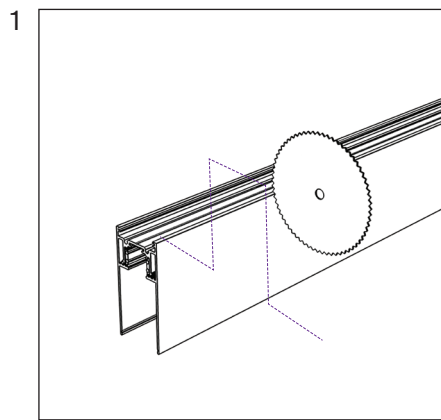
1. Screw the hangers into the base.
2. Install the hangers into the groove on the back of the track.
3. Attach the cable holder. Insert the cables into the holders. Adjust the length of the hangers.
4. Insert the power cable into the track.
5. Install plugs.



# INSTALLATION INSTRUCTION

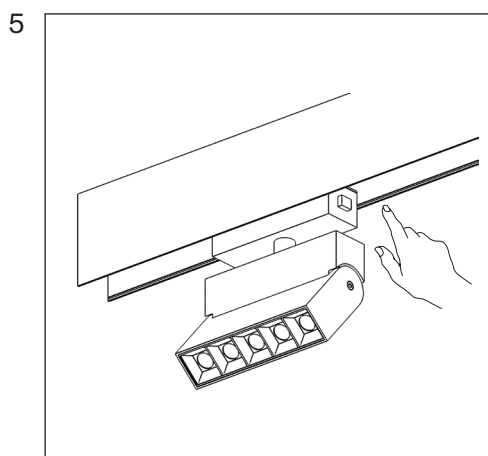
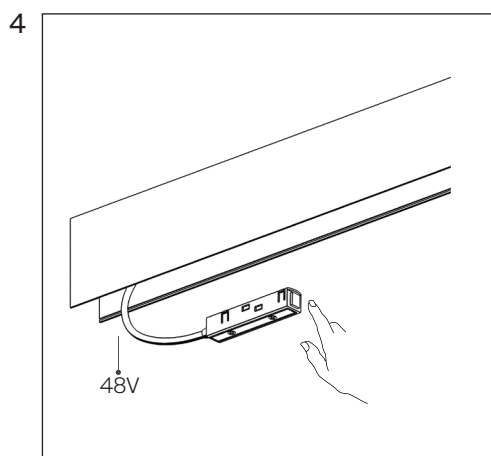
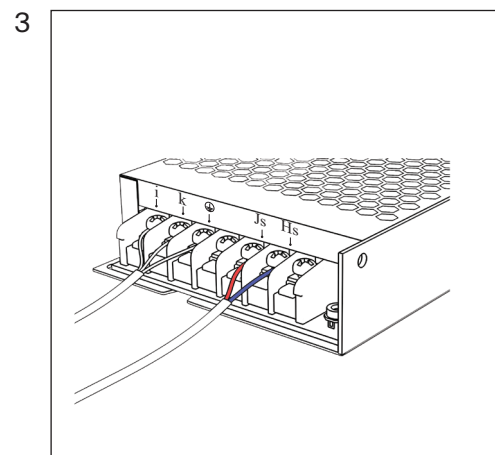
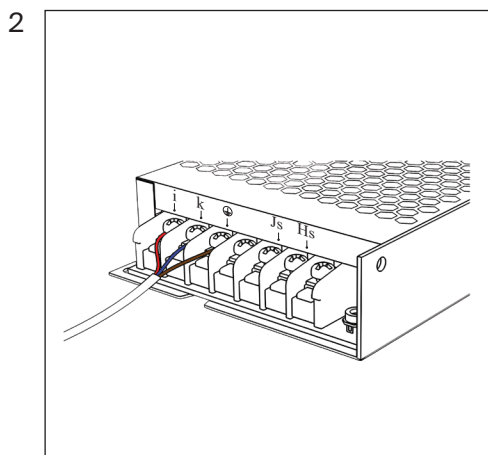
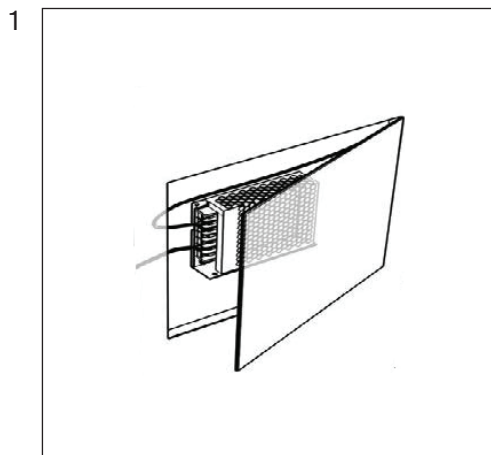
## SURFACE AND SUSPENDED TRACK

1. Cut the track according to the design dimensions. Cutting is allowed anywhere at an angle of 90 degrees.
2. Shorten the conductors by 5mm and crimp their guides into the track.
3. Drill holes for power cable entry and chamfer.
4. Connect the track sections with connectors and install the plugs.



# CONNECTING THE POWER TO THE TRACK

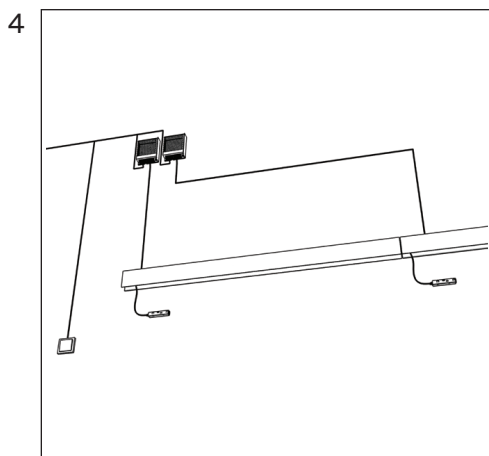
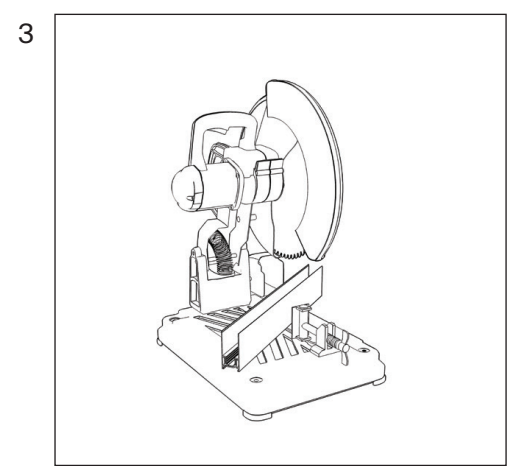
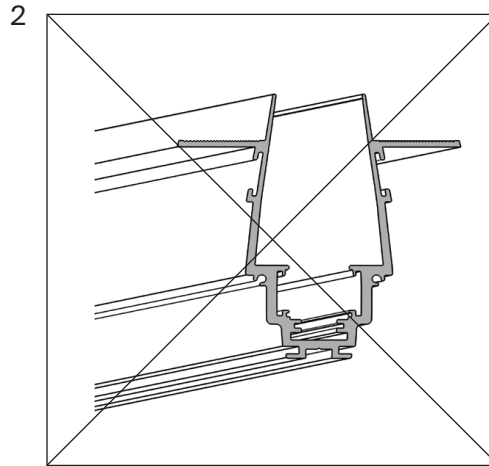
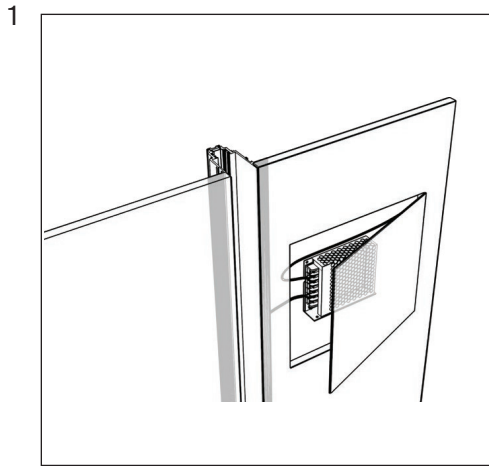
1. Prepare a niche, place a driver in it and bring a 230V 50Hz power cable to it.
2. Connect the driver to the network 230V 50Hz according to the designations on it. The power reserve of the driver must be at least 20%.
3. Connect the power input of the truck to the appropriate terminals of the driver (black, brown wires to the V+ terminal, white and blue wires to the V-terminal).
4. Install the connected power inlet to the track. Press the button and insert the adapter until it clicks. Connection is carried out when the electrical network is switched off.
5. Install lights. Install the luminaire into the track until it clicks, in models equipped with buttons on the base, they must be pressed to install.





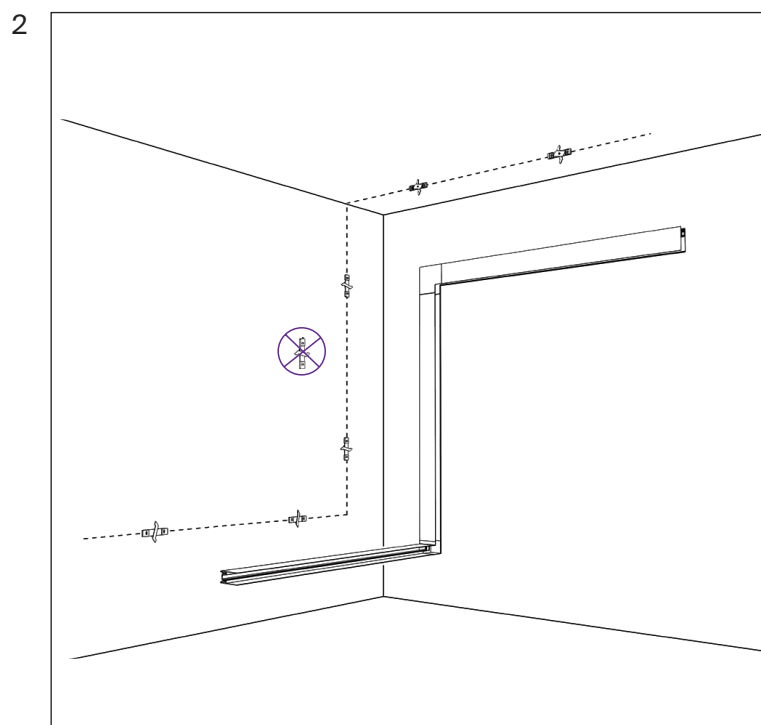
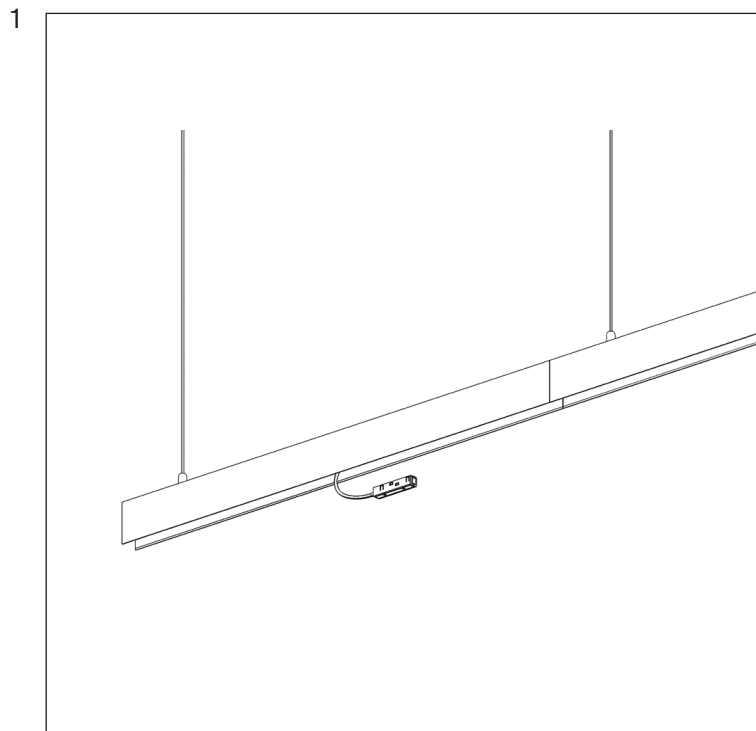
# TIPS AND PRECAUTIONS

1. When planning the placement of system elements, be sure to include an inspection hatch in the project to service the driver.
2. Do not deform the track during transport and installation.
3. When cutting track, use professional equipment, or use the services of an organization providing such services.
4. Through 1 power input, you can connect lamps with a maximum total power of 400W and a track no longer than 20 meters. If the specified power or length is exceeded, it is necessary to connect subsequent sections through a new power input."



# POWER INPUT

1. The power input can be installed in any section of the track, guided by rule 1, the input feeds no more than 20 meters of the track.
2. Be extremely precise when laying out and installing the wall brackets. If you move them out of the path of the truck, you may have difficulty installing it.



Fault description	Cause	Troubleshooting
The lamp does not work	Loose connection of current-carrying parts	Install the lamp on the track until the adapter is in full contact with the current-carrying cores
		Check the input cable connection terminals, the connection of the power input terminals to the track, and other connections.
	Contact the seller for a replacement under warranty	Contact the seller for a replacement under warranty
The lighting fixture flashes or glows dimly in switched-off state	To control the lighting circuit, a switch with key backlighting is installed, or a motion (light) detector is used	Replace the switch with a model without key backlighting, or which has an additional resistor in its design. Use motion (light) detector only with relay output
Unstable glow, flickering, extraneous sound	Brightness control (dimmer switch) is installed in the power supply circuit	Remove the dimmer from the circuit, replace it with a switch
	Faulty power supply	Contact the seller for a replacement under warranty

**STORAGE**

The goods are stored in packaging indoors in the absence of an aggressive environment. Storage temperature in the range from -20°C to +70°C and relative air humidity not more than 95%. Direct exposure to moisture is not allowed.

**TRANSPORTATION**

The packaged product is suitable for transportation by sea, rail, road and air.

**DISPOSAL**

The product in its design does not contain toxic and chemically hazardous compounds, therefore it is subject to the rules for the disposal of municipal solid waste.

# WARRANTY

The warranty for the product is 24 months from the date of sale, the date is established on the basis of documents establishing the fact of sale.

Warranty service is provided if the malfunction occurred due to the defect in workmanship, and also subject to all the rules of operation, transportation and storage given in this manual.

The warranty is not valid in the following cases: if the product has been used for purposes that do not correspond to its intended use; the defect arose after the transfer of the goods to the consumer and is caused by incorrect or careless handling, non-compliance with the requirements given in this manual. And also in cases of force majeure, including: fire, flood, high-voltage discharges and other natural disasters, accidents and deliberate actions of third parties that caused the product to malfunction.

**MANUFACTURER**

Maytoni GmbH, Feldstiege 98, Münster, Germany, 48161

**IMPORTER**

Maytoni GmbH, Feldstiege 98, Münster, Germany, 48161

[www.maytoni.de](http://www.maytoni.de)

Developed in Germany.

Made in China.

Shelf life is not limited.

