

Instruction Technical

maytoni.de

Series:

Focus LED

Article:

TR032-4-5W3K-S-DS-B

Light source:

LED 5 W



**Magnetic
track
lamp
SMART**

Lamp type

Description and purpose
of the device:

LED equipment for general purposes. The lamp is designed for installation in the EXILITY magnetic track system.

Purpose:

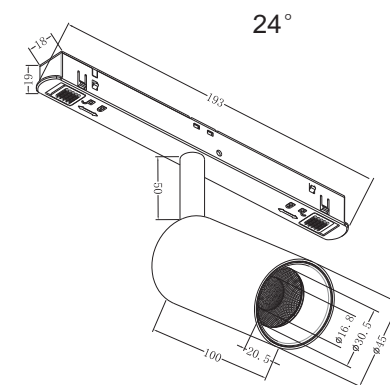
For indoor lighting in trade showrooms, apartments, cottages, houses.

Equipment:

indicated on the package.

Preparation for work
and connection to the
electrical network

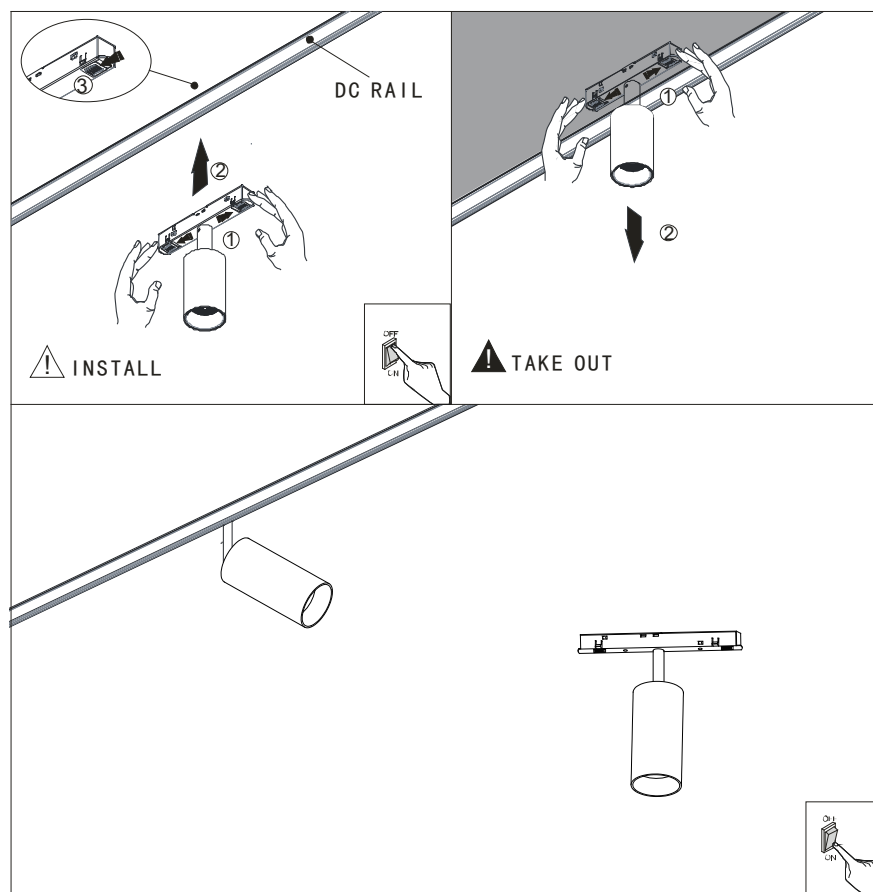
- + All installation and dismantling work should be performed in a powered down state only.
- + Unpack the lamp and check its integrity.
- + The lamp is designed for installation in the EXILITY magnetic track system. The installation of the track and its connection to the network must be carried out by qualified specialists. The procedure for installing the track and connecting it to the network is indicated in the track instruction manual. Mount the luminaire as shown in the figure. When installing or removing the luminaire, it is recommended to turn off the track power.
- + Use a soft, dry cloth to clean the product with the power switched off. Do not use chemically aggressive cleaning agents.



Magnetic track
system
Exility

Present illuminated+

+Present illuminated



Attention!

All installation and mounting services must be provided by persons having the appropriate permits and qualifications. Please, contact a qualified electrician, where necessary. Do not use the lamp if there is any external damage.



Learn more about
Maytoni Technical

MAYTONI

Technical service and exploitation rules



Transportation and storage

- Installation and connection of the lighting fixture shall be conducted by a electrician.
- Attention! Cut off the power supply prior to the start of installation.
- Before connecting the lighting fixture, make sure the network technical data is in compliance with the specifications indicated on the package.
- Use lighting fixtures in accordance with their intended purpose. Do not use lighting fixtures, which are designed for illumination of indoor living spaces, for outdoor applications. Do not use the product in rooms with high humidity and with a high content of dust or aerosol particles in the air.
- For use in the power supply network with the voltage of not more than 48V. Operation of the track without a power source is forbidden. Do not connect the track directly to the 230V 50Hz AC mains to prevent the failure of lamps.
- When building a track system, do not exceed the total current load of the selected power source considering the power reserve of 20%.
- Use a soft, dry cloth to clean the product with the power switched off. Do not use chemically aggressive cleaning agents.

The lamps are transported in a factory distribution packaging by any means of transport, provided that they are protected from atmospheric condensation and mechanical impact that lead to damage. Products are allowed to be stored in stacks of no more than 10 products in heated, closed and dry warehouses, excluding the impact of moisture and various corrosive environments on them. At a distance of at least a meter from the heating devices.

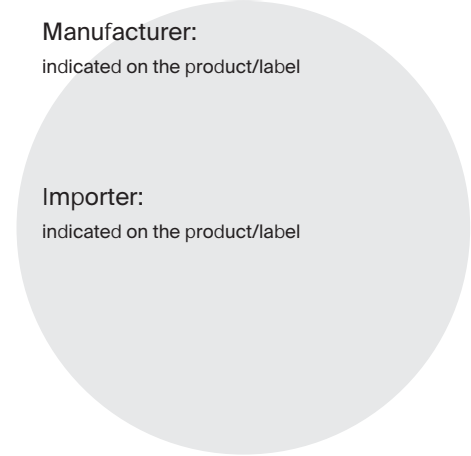
Disposal:

Do not dispose the product with the regular household waste!
Products marked with this sign must be disposed according to the directive on electrical and electronic devices at local collection points for such devices!



Manufacturer:

indicated on the product/label



Importer:

indicated on the product/label

Warranty

- For warranty repair of the product, contact the place of purchase.
- The manufacturing company provides a 2-year warranty for luminaires intended for use with lamps and 3-year warranty for luminaires with a built-in LED module.

The warranty starts from the moment you purchase the product from the distributor/importer and the warranty card is filled in.

- The warranty is not valid in cases of: mechanical damage to the luminaire, violation of the installation and operation conditions, as well as unauthorized changes to the product.
- The manufacturer's warranty does not apply to consumable parts (light bulbs, fasteners, cutters, etc.). The manufacturer reserves the right to make changes to the design and configuration of the product and improvements that do not impair the technical characteristics of the product without prior notice.
- Keep all packing until successful installation is completed and retain the instructions for the future reference.
- Standards, Regulations, Ro Requirements EC is on the first place.

Technical

Instruction Technical

maytoni.de

Magnetic track system Exility

Description and purpose of the device

General-purpose LED equipment

Application

The lamp is designed for installation in the EXILITY magnetic track system.

Features

- + Color temperature change
- + Dimming
- + Phone control (Maytoni Smart)
- + Control with voice assistants (Amazon Alexa, Google Assistant)
- + Combination of lamps up to 8 groups of up to 50 lamps in each
- + Ability to integrate a remote control into the system, which will allow you to adjust the lighting without entering the application, or in situations when the phone is within reach.
- + Bluetooth Mesh Protocol (SIG)
- + High color rendering index CRI>90 provides the most accurate color display
- + Simple installation in the busbar with magnets and additional latches and easy movement along it
- + Safe supply voltage 48 V

Mounting

- + Lamp is designed for installation in EXILITY busbar
- + The mounting of the busbar and connecting it to the network must be carried out by qualified specialists
- + The procedure for mounting the busbar and connecting it to the network is indicated in the busbar operating instructions
- + Mount the lamp as shown in the figure. When installing or removing the lamp, it is recommended to turn off the busbar power

Magnetic track lamp SMART

Lamp type

Present illuminated⁺

All device functions are only available using the Maytoni Smart mobile app. To install this software on your smartphone, please scan the QR code below. If you can't install the app, then go to Google Play or the App Store and download the app manually.

Available on the
 **App Store**

Available on the
 **Google Play**



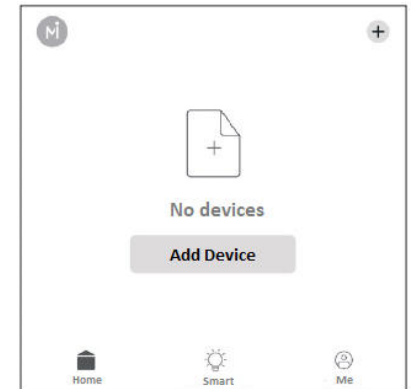
MAYTONI

Connecting the device to a Wi-Fi network

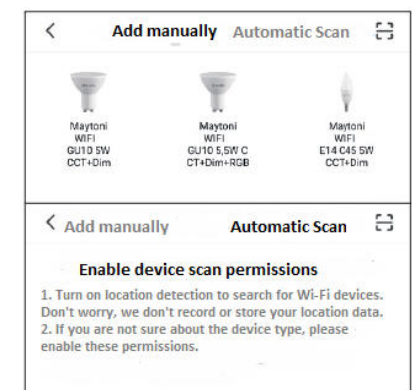
1. Please make sure your Wi-Fi network is 2.4GHz before connecting the lamp, otherwise the device will not be able to connect and be controlled through the mobile app.
2. For a strong signal, additionally connect Bluetooth on your device.
3. Install and launch the Maytoni Smart mobile app.
4. Create an account and register using your email address, follow the instructions to complete this procedure.
5. You will receive a secret code to the email address that was specified during registration then you need to enter it in the appropriate window, come up with a password and complete the registration.



6. Install, connect the lamp and supply power.
7. After applying power to the device and completing the registration, make sure that the lamps blink, which indicates that they are in pairing mode. Within 10 minutes, the lamps need to be added to the application.
8. Select your lamp model or click search for a device in automatic mode.



9. After successfully adding the device, use the necessary functions of the application for easy identification and use of lamps by setting operating modes (changing color temperature, brightness, etc.).



Applying scripts to device operation

After completing the process of adding a device, name it, link it to a specific room of your home and configure its operation using the functionality of the mobile application, using scripts, by going to the appropriate tab in the main menu, based on your needs and tasks, and then the device will be able to work in fully automatic mode without your participation.

Advanced application settings

By going to the Profile tab in the main menu of the application, you can personalize your account, link it to voice assistants for even more flexible control of your smart devices. Add your family members as friends and send them your settings to be able to control lighting from other devices.

