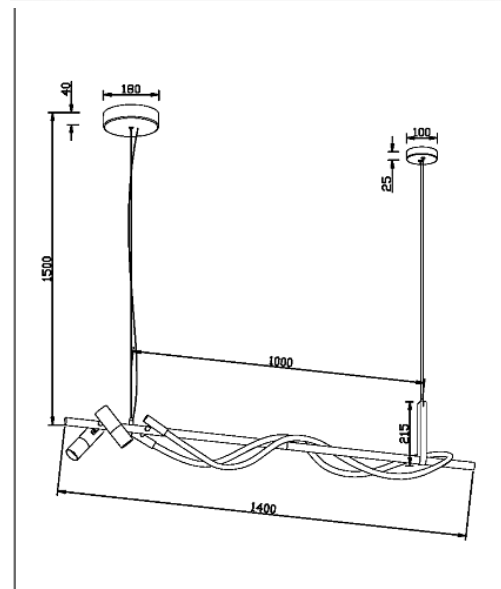


Pendant lamp Tau 3000K 42W

Series: Tau Article: MOD166PL-L30GB3K

Article	MOD166PL-L30GB3K
Fitting color	Black with gold
Brand	Maytoni
Product type	Pendant lamp
Collection	Modern
Color temperature	3000
Dimmable	No
Color rendering index	80
Scattering angle	260
IP protection	IP 20
Height	1500
Series	Tau
Fitting material	Aluminum
Width	180
Length	1400
Power	42
Lamps included	No
Light flux	1500
Mounting bowl	Yes
Bowl length	180
Bowl width	180
Chain	No
Type of fastener	Bar
Base	No
Switch	No



Dome lamp switch	No
Voltage	AC 220-240
Protection level	Class1
Energy efficiency class	G
Warranty	3
Fireproof	No
Dyed	No
Lampshade	Yes
Packing length	350
Volume	32550
Net	4.2
Gross	5