



FULVIA

Descriptions

Product code	AB0061R53
Product description	Fitting for Fulvia metal ceiling light with gold-coloured finish Can your lighting also express your personal style? Of course it can! The fitting for the Fulvia ceiling light is designed to complement the look of your favourite shade. Now you're the lighting designer.
Origin country	CN

Dimensions

Height x Width x Depth (cm)	188 cm	x	12 cm	x	12 cm
Product weight (Kg)	0,3 Kg				
Distance lamp-switch (cm)					
Distance switch-plug (cm)					
Cable length (cm)	150				

Technical drawings

Features

Use (domestic/contract/office)	Domestic
Indoor (yes/no)	Yes
Alfresco (yes/no)	No
Outdoor (yes/no)	No
Type of lamp (floor/table/ceiling/wall)	Ceiling lamp
Lampholder - bulb socket type	E27
Type of plug	N/A
Protective-earth connection class	II
IP code	2
Nominal input voltage (V)	220
Nominal input frequency (Hz)	50
Switch (yes/no)	No
Switch type	N/A

Power (W)	40
Energy class	E--A++
Highest energy efficiency	A++
Adjustable height (yes/no)	Yes
Bulb included (yes/no)	No
Bulb type	N/A
Bulb shape	Pear
Bulb brightness (Lumens)	
Bulb color temperature (K)	
Bulb color temperature description	N/A
Rated bulb life (hours)	

Energy efficiency

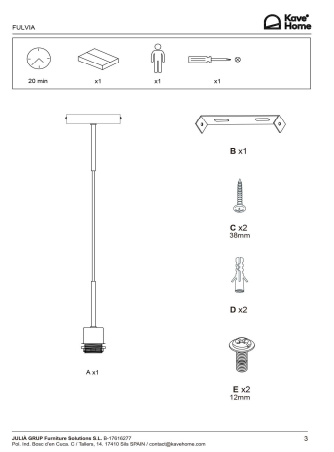
Materials

Cable characteristics	Cable covered with plastic
Base material	Metal
Base finishing	Gold
Frame material	N/A
Frame finishing	N/A
Shade material	N/A
Shade finishing	N/A
Bulb finishing	N/A

assembly

Unpacking time (min)	1
Assembly required (yes/no)	No
Difficulty of assembly (hard/medium/easy)	N/A
People required	
Assembly time (min)	
Assembly suggestions	N/A

Assembly instructions



Care & Warranties

General warnings	Disconnect electrical power before cleaning. Do not use abrasive products like acetones, bleaches, solvents, etc. Do not wash with running water, electrical parts will be damaged.
Specific use and care instructions	Remove the dust with a feather duster
Specific use and care instructions for outdoor	N/A
Years of guarantee	2
Made according to	EN 60598-1:2015+A1:2018 for luminaires
FSC certified (yes/no)	N/A
PEFC certified (yes/no)	N/A
FLEGT license (yes/no)	N/A
Variation type	Light and environment conditions may distort the color perception of the
Purposeful distressing type	No distressing
Additional information	

Packaging

Units per lot	
Cbm (m3) / Gross weight (Kg)	0,00395 / 0,438
Nº of boxes	1
Box 1	1
Description	Fitting for Fulvia metal ceiling light with gold-coloured finish
Description box	FULL ITEM
Height x Width x Depth (cm)	38 x 72 x 29
Cbm (m3) / Gross weight (Kg) / Net weight (Kg)	0,004 / 0,438 / 0,295
Box 2	
Description	
Description box	
Height x Width x Depth (cm)	x x
Cbm (m3) / Gross weight (Kg) / Net weight (Kg)	/ /
Box 3	
Description	
Description box	
Height x Width x Depth (cm)	x x
Cbm (m3) / Gross weight (Kg) / Net weight (Kg)	/ /
Box 4	
Description	
Description box	
Height x Width x Depth (cm)	x x
Cbm (m3) / Gross weight (Kg) / Net weight (Kg)	/ /