

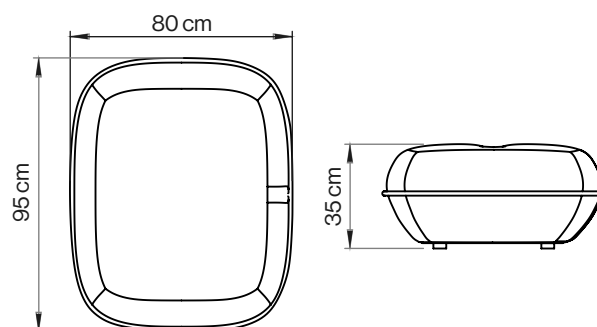
pols potten



Pouf Puff

Fact Sheet

The Puff Pouf combines bold design and cosy comfort in a compact form. The design piece is made to optimize space and pair with the Puff Lounge Chair. The duo are perfect for sprawling, socializing and enjoying modern living.



Design by	pols potten studio 2022
About the designer	This item is designed in our very own pols potten studio
Category	Seating - Lounge chairs
Environment	Indoor
Preassembled	Yes
Material & Finish	Frame: beech wood + sheet wood Seat: nosag springs Seat padding: HR40 foam + dacorn wadding layer 200g/m Legs: The legs are made of black plastic
Gliders	No
Upholstery	The puff series are standard available in the following upholstery: - Loft 100% polyester fleece / 50.000 martindale / color fastness level 5 - Renegade 100% polyester / >100.000 martindale / color fastness level 5
Cleaning & Care	Care and maintenance instructions can be downloaded on the product page of this item at: webshop.polspotten.com or contact your account manager for more specific cleaning & care information.
Spare parts	No

Packaging

Packed in a brown carton and plastic wrap.

Size: 105 x 90 x 45 cm

Weight: 12 kg

Made-to-order

Please contact your account manager for a specific custom-made request.

Textile use for customized upholstery

2,90 meters with a fabric width of 1,4 meters

Test & Certifications

- Chenille flatweave : Fire retardant BS5852 Source 0 cigarette proof
- Fabric : Fire retardant BS5852 Source 0 cigarette proof

Downloads

3D files, mood images and packshots are available at the product page of the item at polspotten.nl

Loft

584-020-005 Dark blue
584-020-007 Burgundy

Renegade

586-020-018 Green
586-020-019 Ecrú

