

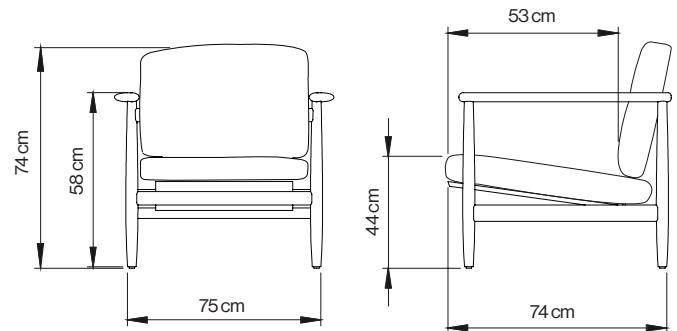
# polspotten



## Chair Todd

Fact Sheet

The Todd Chair is one of those pieces that looks like it would be called Todd if it were a person. We've developed a refined and super soft lounge chair for the 2021 collection. Its minimal design and simple features embrace the idea of pure functional design. The frame follows smooth lines and is totally handcrafted.



<b>Design by</b>	polspotten studio 2020
<b>About the designer</b>	This item is designed in our very own polspotten studio.
<b>Category</b>	Furniture – Chairs
<b>Environment</b>	Indoor
<b>Preassembled</b>	Yes
<b>Material &amp; Finish</b>	Frame: Stained Ashwood (FSC 100% certified) Seat cushion: The seat cushion is made of cotton doll, duck's down, sponge (HR foam) and silk cotton. Sponge density 38kg/m3. Back cushion: The back cushion is made of cotton doll, duck's down, sponge and silk cotton. Sponge density 28kg/m3.
<b>Gliders</b>	Plastic gliders are mounted
<b>Upholstery</b>	The Todd series are standard available in the following upholstery: - Alpine 96% polyester, 4% polyacryl / >75.000 martindale / color fastness level 5
<b>Cleaning &amp; Care</b>	Care and maintenance instructions can be downloaded on the product page of this item at <a href="http://webshop.polspotten.com">webshop.polspotten.com</a> or contact your account manager for more specific cleaning & care information.
<b>Packaging</b>	Packed in strong export carton. Size: 76,5 x D76,5 x H76,5 cm Weight: 17,45 kg
<b>Made to Order</b>	Non-standard fabrics or colours are made-to-order against a minimum order quantity of 20 pieces. Upholstery supplied by the customer must always be tested by us in advance to see if it can be applied to our furniture. Please contact your account manager for a specific custom made request.

**Textile use for customized upholstery**  
2,5 meters with a fabric width of 1,4 meters.

**Downloads**  
3D files, mood images and packshots are available at the product page of the item at [polspotten.nl](http://polspotten.nl)

**Test & Certifications**  
Alpine fabric: Fire retardant BS5952 Source 0 cigarette proof  
FSC certificate code: SGSCH-COC-030018

### Alpine Boucle Fabric

559-020-004  
Green



559-020-003  
Beige



### Frame

Ashwood

